

**SPECIFICATIONS**

**GENERAL:**

The surface drainage system shall be 2000 Series Elevator Multi Slot Drain complete with slotted linear trench opening as manufactured by Slot Drain Systems.

**LOAD CLASS:**

Load Class A

**OUTLET:**

4" SCH 40 End Bottom Outlet

**NOTE:**

Default slot opening for 36" long drain is 2 1/2" with 6 x 5/16" Slot Opening  
Modular units can be joined to increase total capacity and flow rate, if needed  
Design customization available based on the project requirements  
Heelproof insert can be raised in tile over finish (requires architect height specification)  
Default end caps welded to the drain body

**DESIGN FEATURES:**

Material: T316 Stainless Steel  
Slot Opening: 2 1/2" Total (6 x 5/16" Heelproof)  
End: End Cap  
Thickness: 16GA  
Section Lengths: 3' (36")  
Custom Lengths available

**FLOW RATE:**

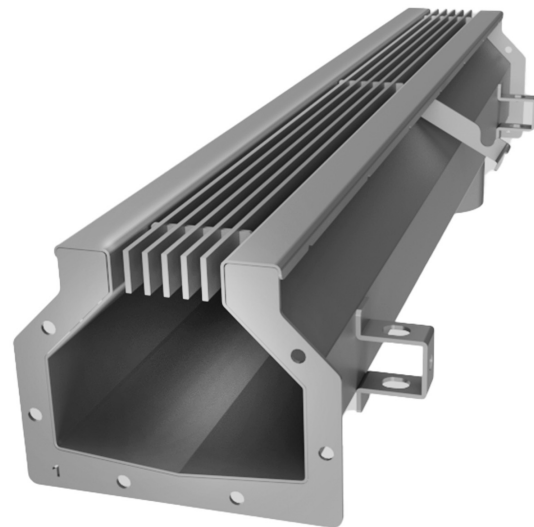
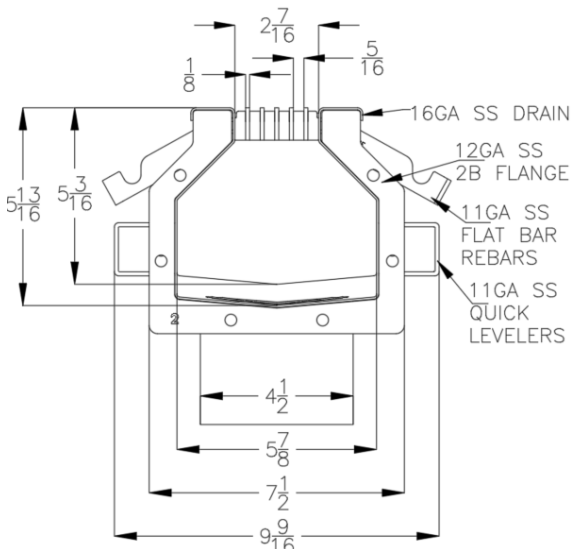
38 gpm (per foot of drain)  
100 gpm per 3' of drain length

This drain configuration complies with:

ASME A112.6.3  
NYC BC 403.6.1, BC 3007.3  
California Building Code 403.6.1, 403.6.2, 3007.4, 3008.4  
San Francisco Fire Code, Section 511.1.4

**INSTALLATION:**

The 2000 Series Elevator Multi-Slot Drain System shall be installed in accordance with the manufacturer's installation instructions and recommendations.



**DRAIN CHANNELS**

DESCRIPTION	PART NO.	INVERT SHALLOW INCHES	INVERT DEEP INCHES
2000 SERIES ELEVATOR MULTI SLOT DRAIN - 3' SECTION	S26091 - H102C36B4	5 3/16	5 13/16

SPECIFYING ENGINEER IS RESPONSIBLE FOR CONCRETE ENCASEMENT AND REINFORCING BASED UPON APPLICATION AND LOCAL CODES.  
SLOT DRAIN SYSTEMS RESERVES THE RIGHT TO CHANGE THE PRODUCT AND SPECIFICATIONS WITHOUT NOTICE