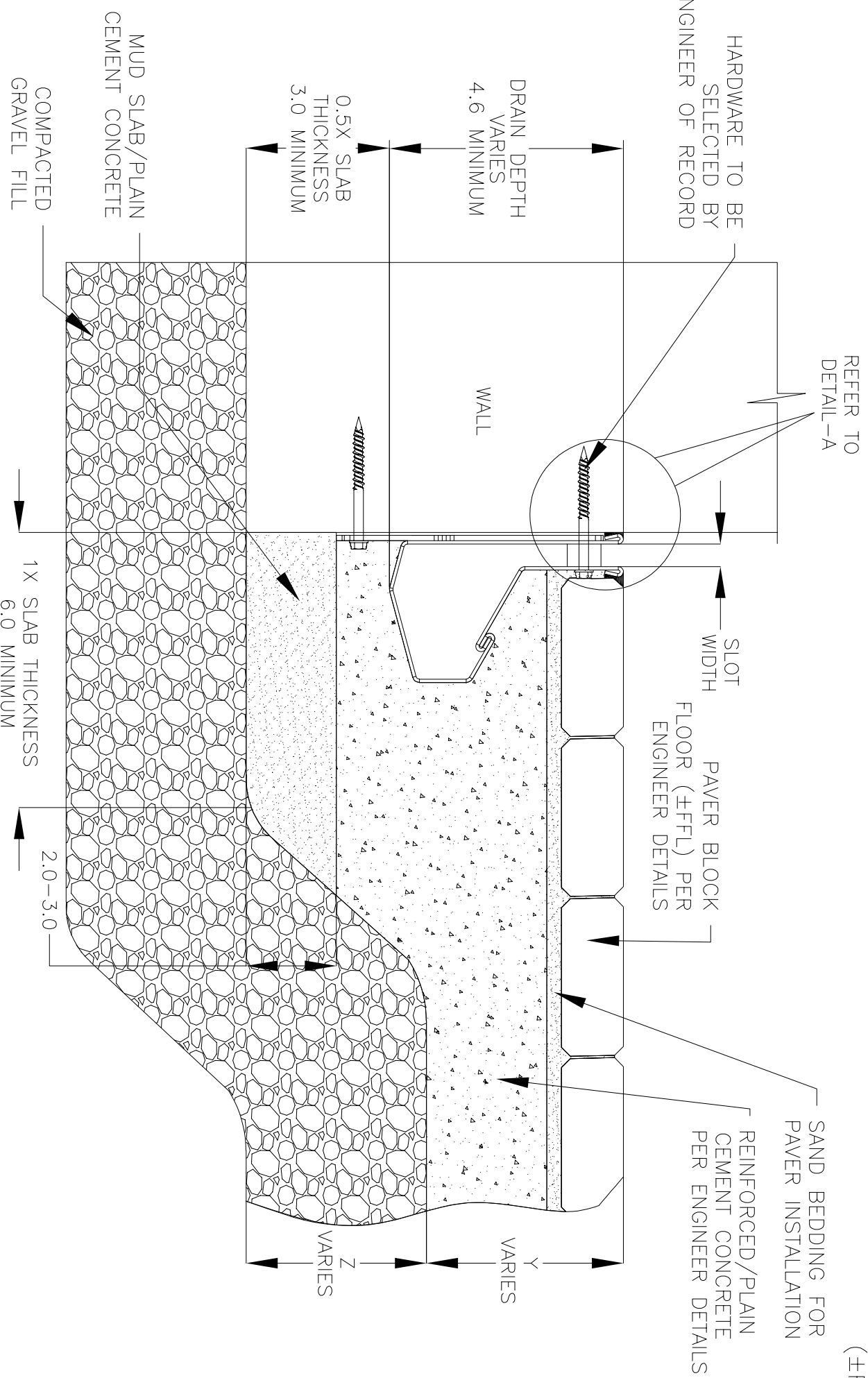


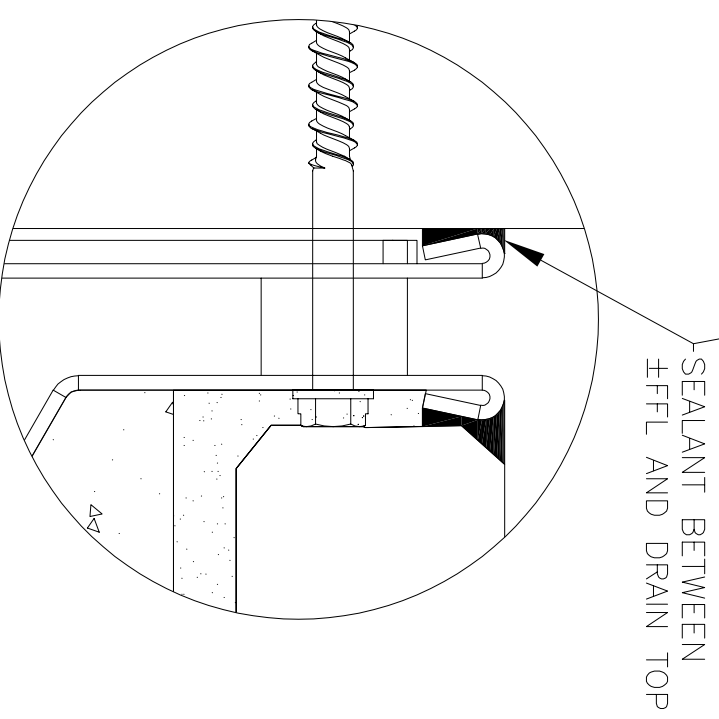
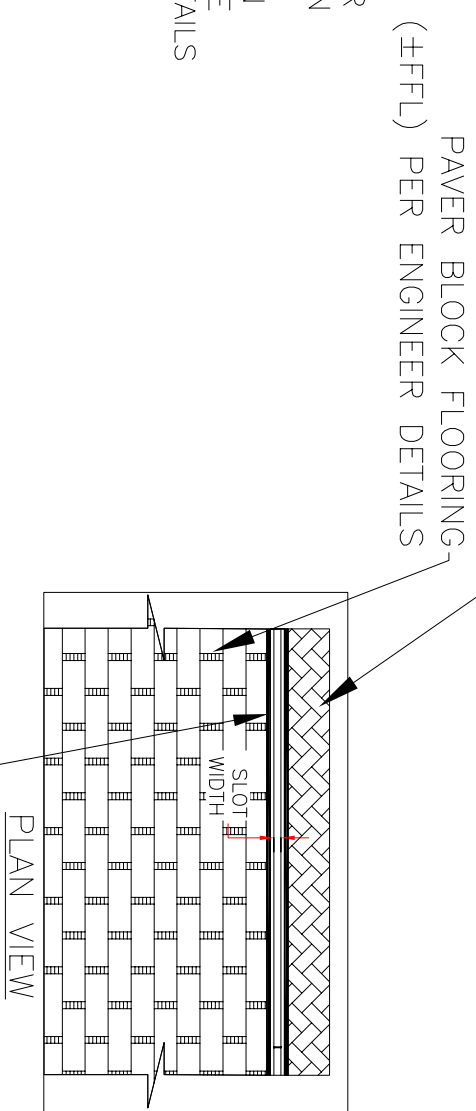
NOTES: UNLESS OTHERWISE SPECIFIED

1. ALL DIMENSIONS ARE IN INCHES.
2. DRAIN BODY MATERIAL: 16GA STAINLESS STEEL T304/T316
3. SPECIFYING ENGINEER IS RESPONSIBLE FOR CONCRETE ENCASEMENT AND REINFORCING BASED UPON APPLICATION AND LOCAL CODES.
4. REFER TO <https://info.slotdrainsystems.com/installresources> FOR INSTALLATION INSTRUCTIONS.



4000 SERIES SLOT DRAIN WALL INSTALLATION DETAILS

REVISIONS		DATE	BY
REV	DESCRIPTION		
0	INITIAL RELEASE - R0	4/26/2019	DK
1	UPDATED THE LEVELER & WALL CONNECTION	3/19/2020	DK
2	UPDATED THE DRAIN LAYOUT	7/14/2021	DK
3	REMOVED LEVELER & REBAR CONNECTIONS	9/1/2023	DK
4	UPDATED WITH GLOBAL DRAIN TEMPLATE	2/14/2024	DK



DETAIL-A



DRAWING TITLE

PAVER BLOCK FLOOR-NEW CONSTRUCTION WALL INSTALLATION

DRAIN SERIES

4000 SERIES SLOT DRAIN

DWG NO.

IN-SD4000-001-R4

SIZE	SCALE	SHEET
B	NTS	1 OF 1

ALL DRAWINGS ARE THE EXCLUSIVE PROPERTY OF SLOT DRAIN SYSTEMS. ANY REPRODUCTION IN PART OR IN WHOLE IS PROHIBITED WITHOUT PROPER CONSENT.

REV. 4