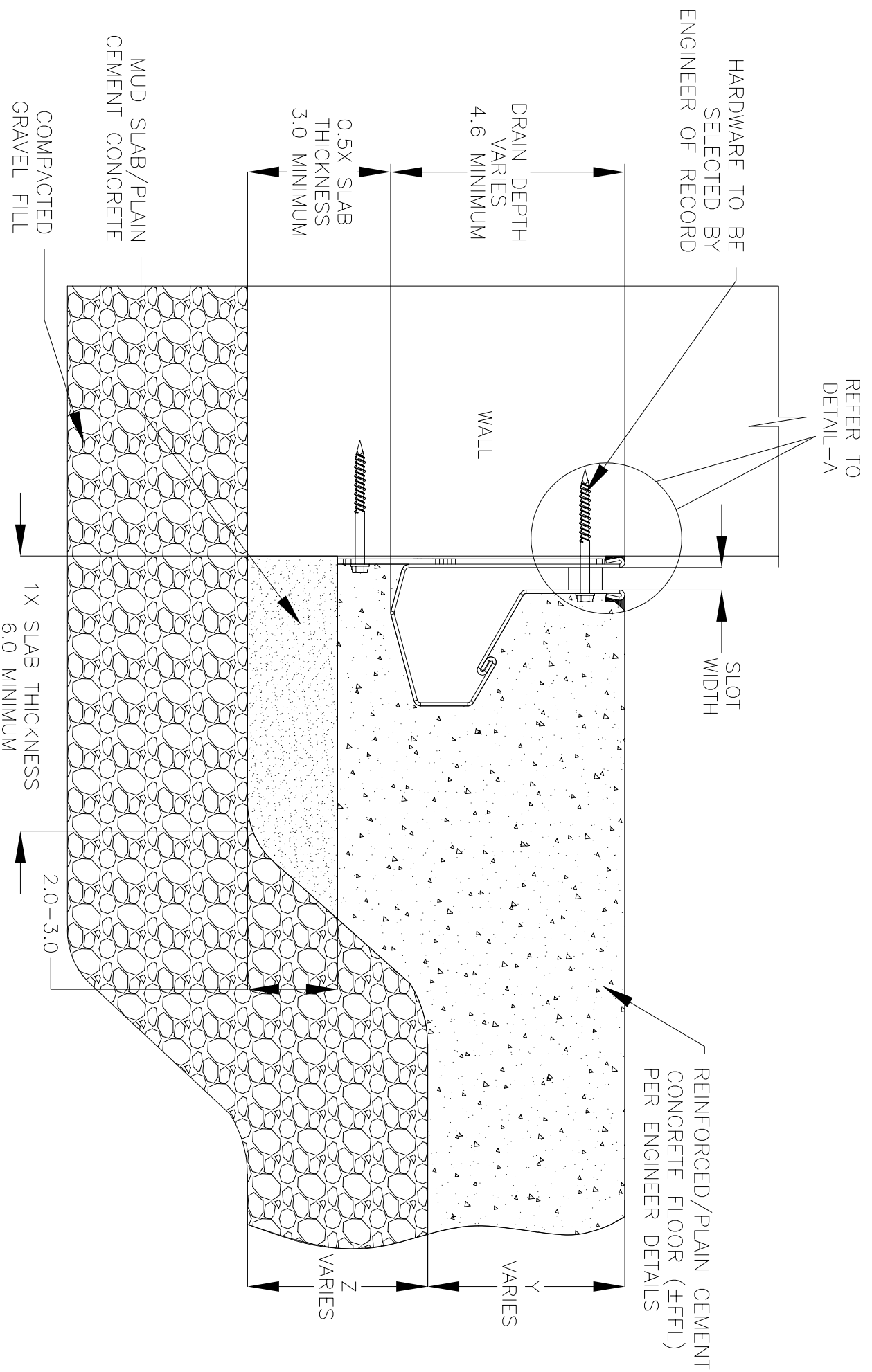


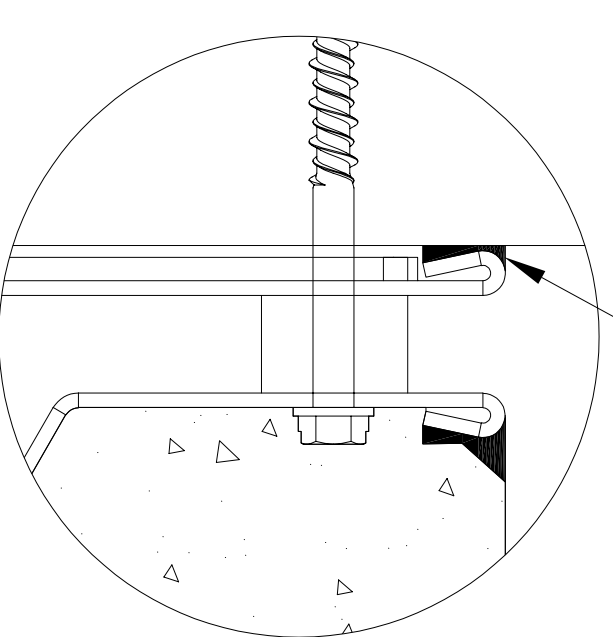
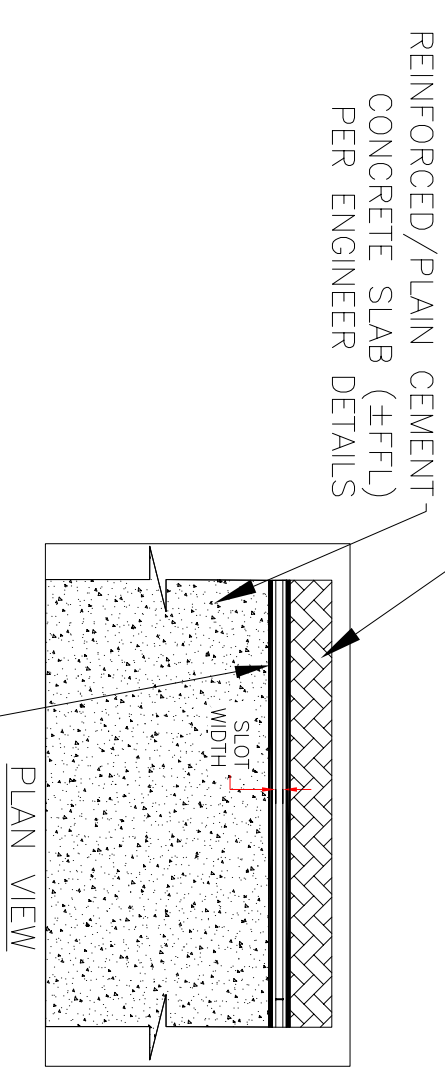
NOTES: UNLESS OTHERWISE SPECIFIED

1. ALL DIMENSIONS ARE IN INCHES.
2. DRAIN BODY MATERIAL: 16GA STAINLESS STEEL T304/T316
3. SPECIFYING ENGINEER IS RESPONSIBLE FOR CONCRETE ENCASEMENT AND REINFORCING BASED UPON APPLICATION AND LOCAL CODES.
4. REFER TO <https://info.slotdrainsystems.com/installresources> FOR INSTALLATION INSTRUCTIONS.



4000 SERIES SLOT DRAIN WALL INSTALLATION DETAILS

REVISIONS		DATE	BY
REV	DESCRIPTION		
0	INITIAL RELEASE - R0	4/26/2019	DK
1	UPDATED THE LEVELER & WALL CONNECTION	3/19/2020	DK
2	UPDATED THE DRAIN LAYOUT	7/14/2021	DK
3	REMOVED LEVELER & REBAR CONNECTIONS	9/1/2023	DK
4	UPDATED WITH GLOBAL DRAIN TEMPLATE	2/14/2024	DK



DETAIL-A



DRAWING TITLE
CONCRETE FLOOR-NEW CONSTRUCTION WALL INSTALLATION

ALL DRAWINGS ARE THE EXCLUSIVE PROPERTY OF SLOT DRAIN SYSTEMS. ANY REPRODUCTION IN PART OR IN WHOLE IS PROHIBITED WITHOUT PROPER CONSENT.			
DWG NO.	SIZE	SCALE	SHEET
IN-SD4000-002-R4	B	NTS	1 OF 1
DRAIN SERIES	4000 SERIES SLOT DRAIN	REV.	4