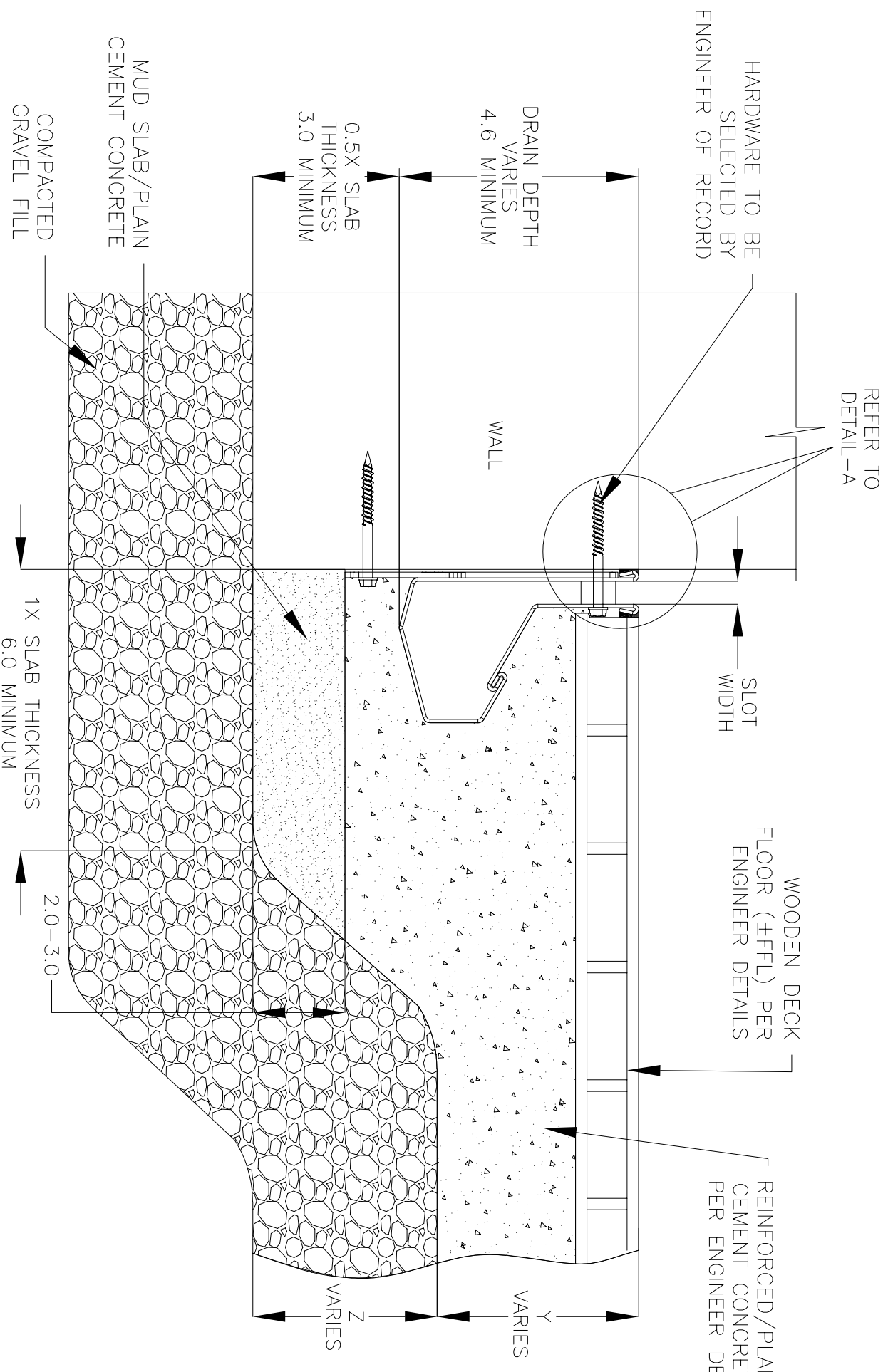


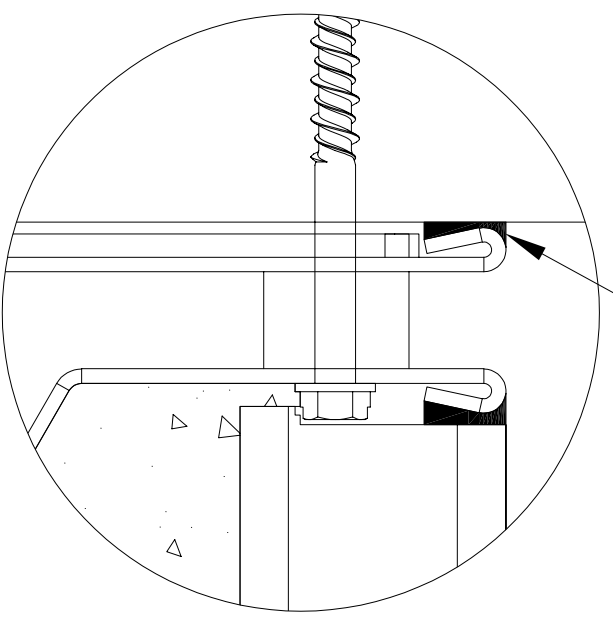
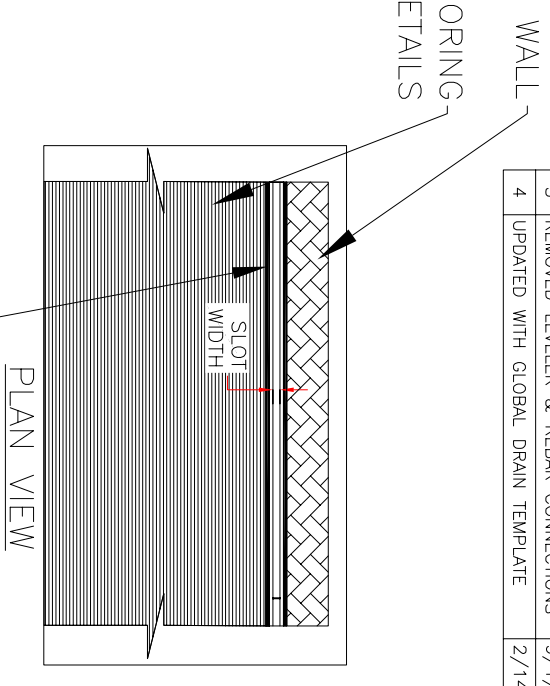
NOTES: UNLESS OTHERWISE SPECIFIED

1. ALL DIMENSIONS ARE IN INCHES.
2. DRAIN BODY MATERIAL: 16GA STAINLESS STEEL T316
3. SPECIFYING ENGINEER IS RESPONSIBLE FOR CONCRETE ENCASUREMENT AND REINFORCING BASED UPON APPLICATION AND LOCAL CODES.
4. REFER TO <https://info.slotdrainsystems.com/installresources> FOR INSTALLATION INSTRUCTIONS.



4000 SERIES SLOT DRAIN WALL INSTALLATION DETAILS

WOODEN DECK FLOORING  
(±FFL) PER ENGINEER DETAILS



REVISIONS		DATE	BY
REV/	DESCRIPTION		
0	INITIAL RELEASE - R0	4/26/2019	DK
1	UPDATED THE LEVELER & WALL CONNECTION	3/19/2020	DK
2	UPDATED THE DRAIN LAYOUT	7/14/2021	DK
3	REMOVED LEVELER & REBAR CONNECTIONS	9/1/2023	DK
4	UPDATED WITH GLOBAL DRAIN TEMPLATE	2/14/2024	DK

DRAWING TITLE				DRAWING NO.	
WOODEN DECK FLOOR-NEW CONSTRUCTION WALL INSTALLATION				IN-SD4000-003-R4	
DRAIN SERIES				DRAIN NO.	
4000 SERIES SLOT DRAIN				IN-SD4000-003-R4	
REV.				DWG NO.	
4				IN-SD4000-003-R4	
SHEET				SCALE	
1 OF 1				B NTS	
SHEET				SIZE	
1 OF 1				B	

ALL DRAWINGS ARE THE EXCLUSIVE PROPERTY OF SLOT DRAIN SYSTEMS. ANY REPRODUCTION IN PART OR IN WHOLE IS PROHIBITED WITHOUT PROPER CONSENT.