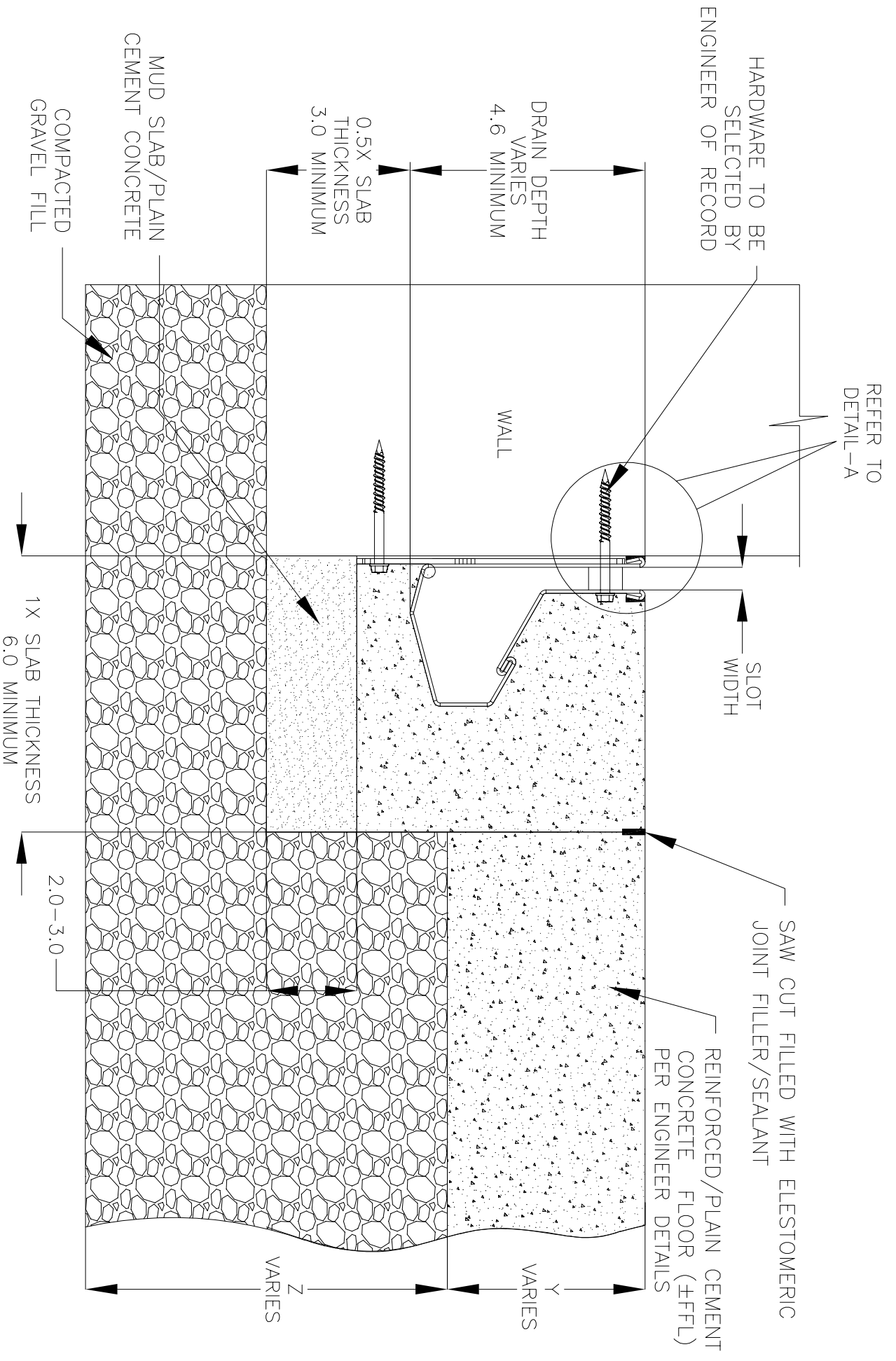
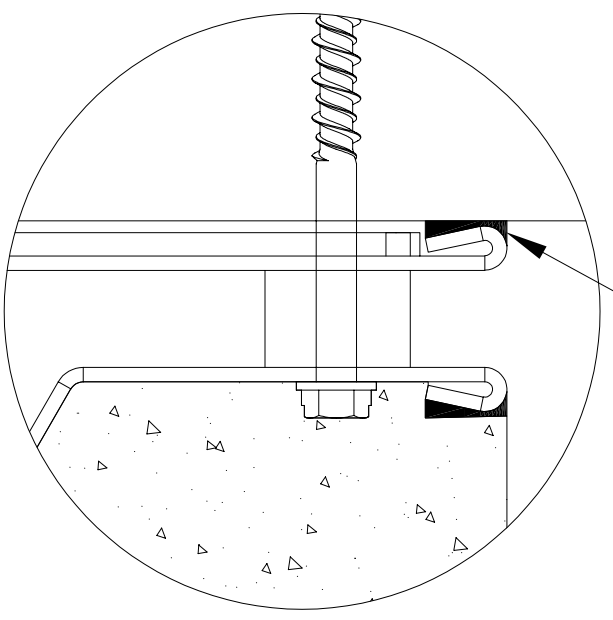
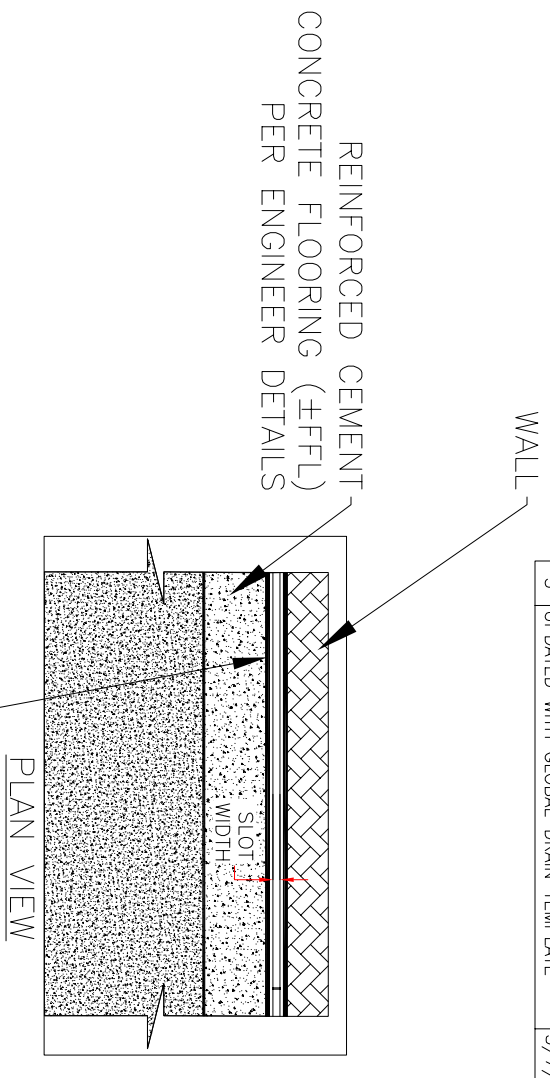


NOTES: UNLESS OTHERWISE SPECIFIED

1. ALL DIMENSIONS ARE IN INCHES.
2. DRAIN BODY MATERIAL: 16GA STAINLESS STEEL T304/T316
3. SPECIFYING ENGINEER IS RESPONSIBLE FOR CONCRETE ENCASEMENT AND REINFORCING BASED UPON APPLICATION AND LOCAL CODES.
4. REFER TO <https://info.slotdrainsystems.com/installresources> FOR INSTALLATION INSTRUCTIONS.



4000 SERIES SLOT DRAIN WALL INSTALLATION DETAILS



DETAIL-A

REVISIONS		DATE	BY
REV	DESCRIPTION		
0	INITIAL RELEASE - RO	4/26/2019	DK
1	UPDATED THE LEVELER & WALL CONNECTION	3/19/2020	DK
2	UPDATED THE DRAIN LAYOUT	7/14/2021	DK
3	UPDATED WITH GLOBAL DRAIN TEMPLATE	3/7/2024	DK



DRAWING TITLE
CONCRETE FLOOR-RETROFIT WALL INSTALLATION

DRAIN SERIES
4000 SERIES SLOT DRAIN

DWG NO.	SIZE	SCALE	SHEET
IN-SD4000-101-R3	B	NTS	1 OF 1

ALL DRAWINGS ARE THE EXCLUSIVE PROPERTY OF SLOT DRAIN SYSTEMS. ANY REPRODUCTION IN PART OR IN WHOLE IS PROHIBITED WITHOUT PROPER CONSENT.

REV.
3