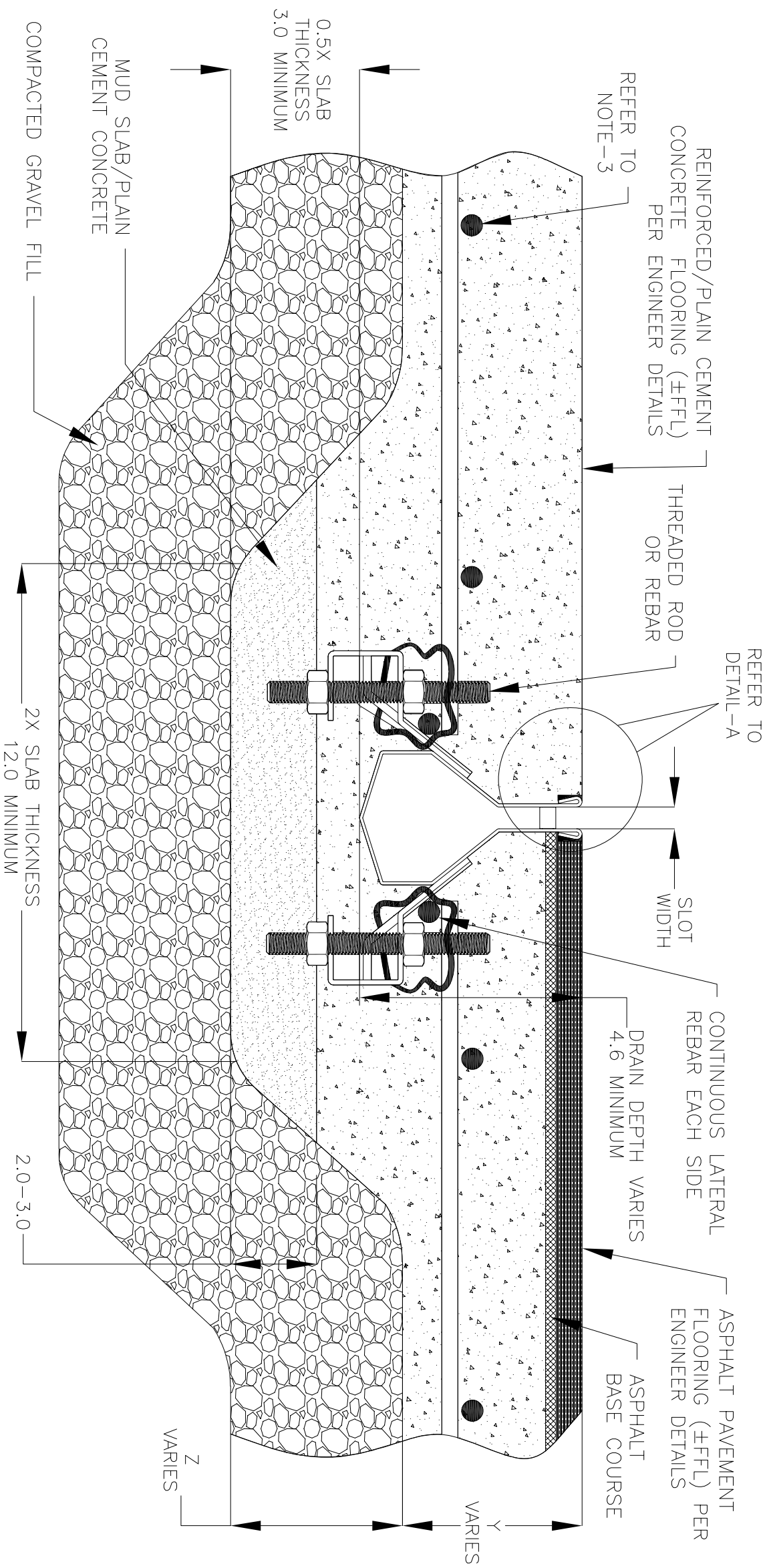


NOTES: UNLESS OTHERWISE SPECIFIED

1. ALL DIMENSIONS ARE IN INCHES.
2. DRAIN BODY MATERIAL: 16GA STAINLESS STEEL T304/T316
3. SPECIFYING ENGINEER IS RESPONSIBLE FOR CONCRETE ENGAGEMENT AND REINFORCING BASED UPON APPLICATION AND LOCAL CODES.
4. REFER TO <https://info.slotdrainsystems.com/installresources> FOR INSTALLATION INSTRUCTIONS.

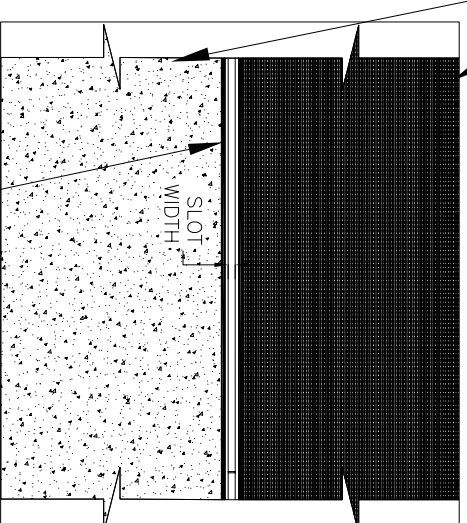


7000N SERIES SLOT DRAIN INSTALLATION DETAILS

ASPHALT PAVEMENT FLOORING (±FFL) PER ENGINEER DETAILS

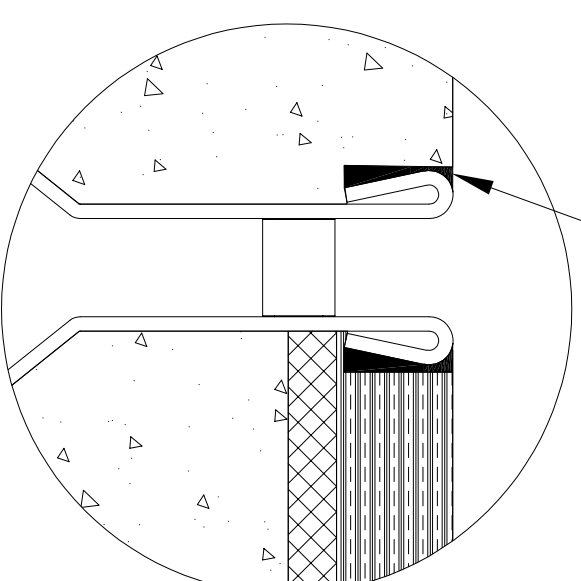
REINFORCED/PLAIN CEMENT CONCRETE FLOORING (±FFL) PER ENGINEER DETAILS

REVISIONS		DATE	BY
REV	DESCRIPTION		
0	INITIAL RELEASE - RO	4/26/2019	DK
1	UPDATED THE DRAIN LAYOUT	12/2/2020	DK
2	UPDATED THE DRAIN & REBAR DETAILS	7/14/2021	DK
3	UPDATED WITH GLOBAL DRAIN TEMPLATE	3/19/2024	DK



PLAN VIEW

SEALANT BETWEEN ±FFL AND DRAIN TOP



DETAIL-A



DRAWING TITLE
ASPHALT+CONCRETE FLOOR-NEW CONSTRUCTION INSTALLATION

DWG NO.	SIZE	SCALE	SHEET	REV.
IN-SD7000N-007-R3	B	NTS	1 OF 1	3

ALL DRAWINGS ARE THE EXCLUSIVE PROPERTY OF SLOT DRAIN SYSTEMS. ANY REPRODUCTION IN PART OR IN WHOLE IS PROHIBITED WITHOUT PROPER CONSENT.