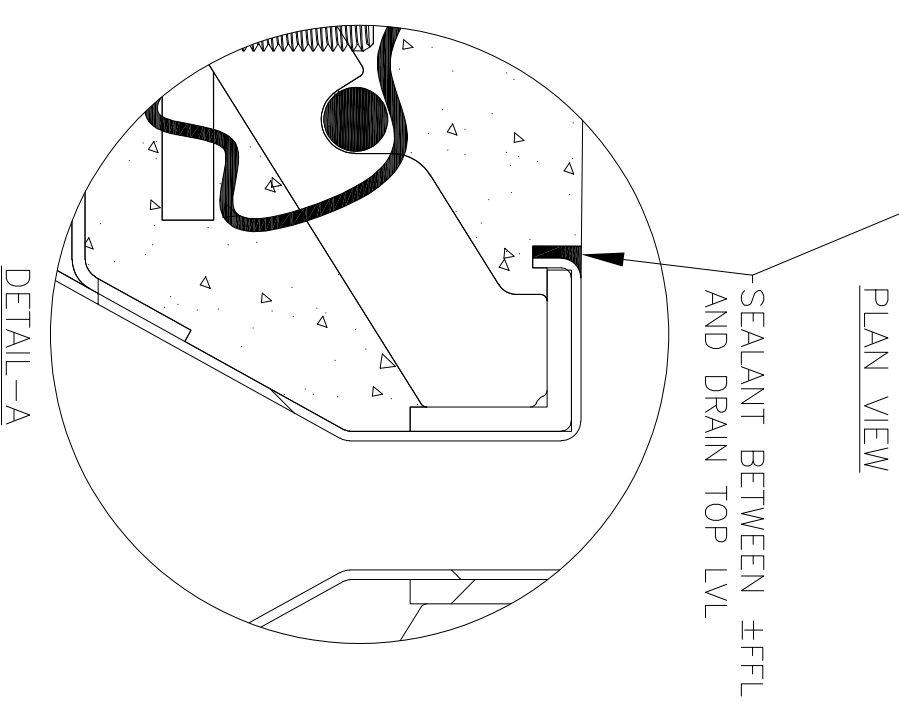
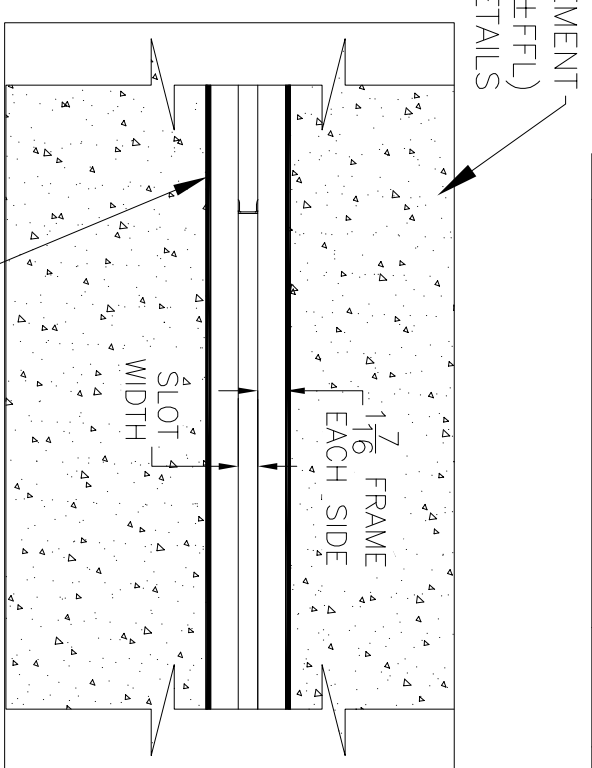
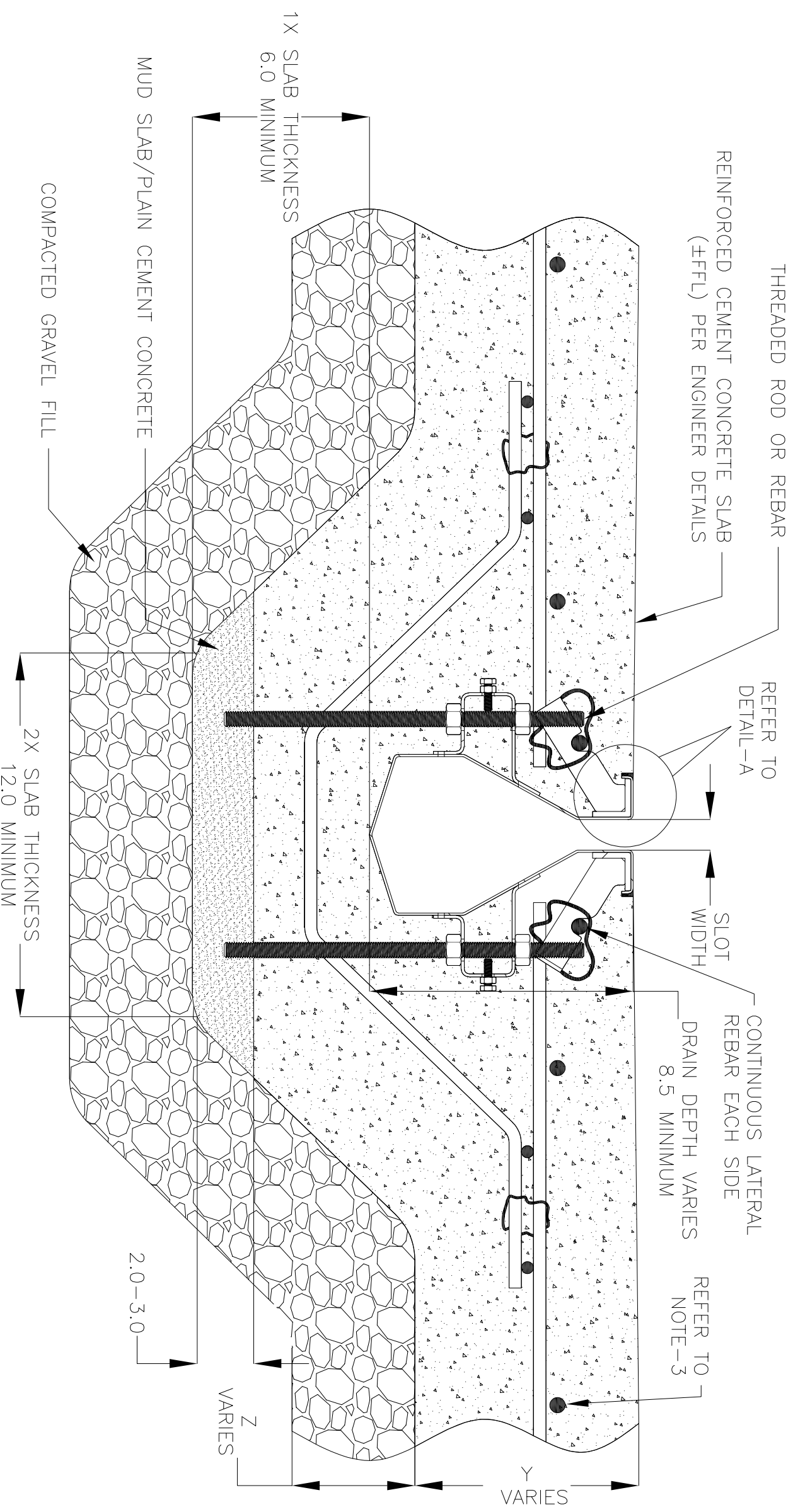


NOTES: UNLESS OTHERWISE SPECIFIED

1. ALL DIMENSIONS ARE IN INCHES.
2. DRAIN BODY MATERIAL: 14GA GALVANIZED/STAINLESS STEEL T304/T316
3. THE DRAINS AND CATCH BASINS ARE INSTALLED WITH THE GASKETS SUPPLIED BY GLOBAL DRAIN TECHNOLOGIES.
4. SPECIFYING ENGINEER IS RESPONSIBLE FOR CONCRETE ENCASUREMENT AND REINFORCING BASED UPON APPLICATION AND LOCAL CODES.
5. REFER TO <https://info.slottedrainsystems.com/installresources> FOR INSTALLATION INSTRUCTIONS.



8000 SERIES SLOT DRAIN INSTALLATION DETAILS

REVISIONS		DATE	BY
0	INITIAL RELEASE - RO	1/8/2024	DK
1	UPDATED WITH GLOBAL DRAIN TEMPLATE	3/19/2024	DK



DRAWING TITLE			
CONCRETE FLOOR-NEW CONSTRUCTION INSTALLATION			
DRAIN SERIES			
8000 SERIES SLOT DRAIN			REV. 1
DWG NO.	SIZE	SCALE	SHEET
IN-SD8000-003-R1	B	NTS	1 OF 1

ALL DRAWINGS ARE THE EXCLUSIVE PROPERTY OF SLOT DRAIN SYSTEMS. ANY REPRODUCTION IN PART OR IN WHOLE IS PROHIBITED WITHOUT PROPER CONSENT.