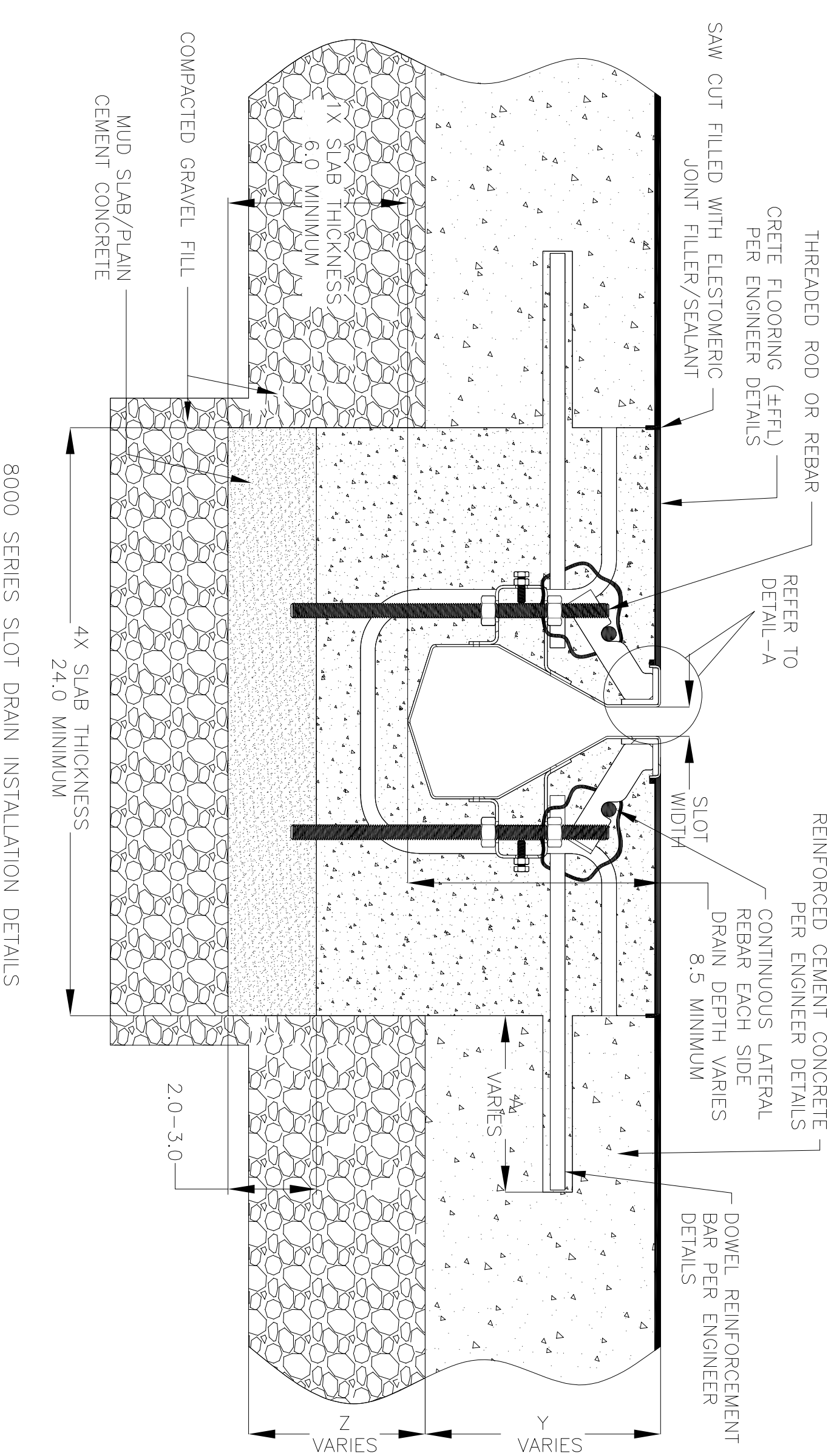
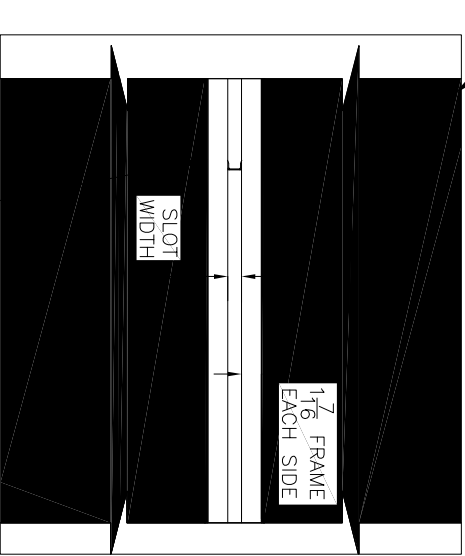


NOTES: UNLESS OTHERWISE SPECIFIED

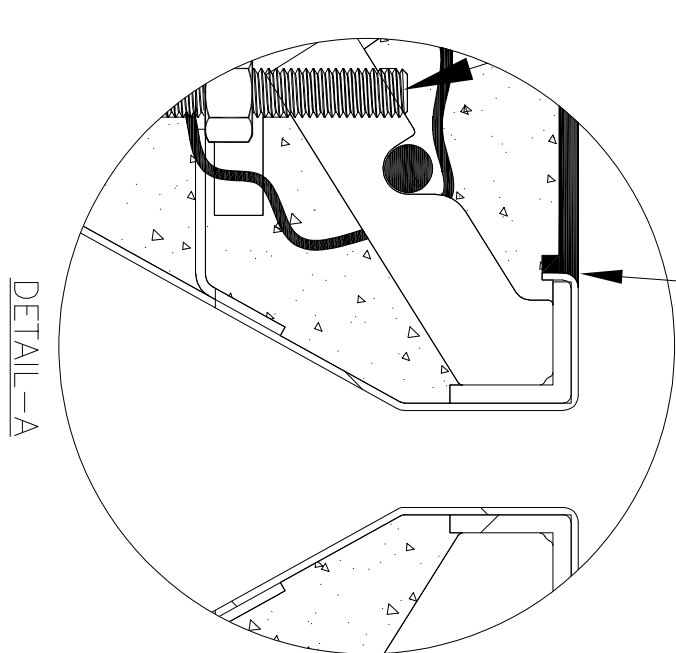
1. ALL DIMENSIONS ARE IN INCHES.
2. DRAIN BODY MATERIAL: 14GA GALVANIZED/STAINLESS STEEL T304/T316
3. THE DRAINS AND CATCH BASINS ARE INSTALLED WITH THE GASKETS SUPPLIED BY GLOBAL DRAIN TECHNOLOGIES.
4. SPECIFYING ENGINEER IS RESPONSIBLE FOR CONCRETE ENCASUREMENT AND REINFORCING BASED UPON APPLICATION AND LOCAL CODES.
5. REFER TO <https://info.slotdrainsystems.com/installresources> FOR INSTALLATION INSTRUCTIONS.



CRETE FLOORING (FFFL)
PER ENGINEER DETAILS



PLAN VIEW



DETAIL-A

8000 SERIES SLOT DRAIN INSTALLATION DETAILS



DRAWING TITLE

CONCRETE FLOOR-RETROFIT INSTALLATION

DRAIN SERIES 8000 SERIES SLOT DRAIN REV. 1

DWG NO.	SIZE	SCALE	SHEET
IN-SD8000-100-R1	B	NTS	1 OF 1

ALL DRAWINGS ARE THE EXCLUSIVE PROPERTY OF SLOT DRAIN SYSTEMS. ANY REPRODUCTION IN PART OR IN WHOLE IS PROHIBITED WITHOUT PROPER CONSENT.

REVISIONS

REV	DESCRIPTION	DATE	BY
0	INITIAL RELEASE - RO	1/11/2024	DK
1	UPDATED WITH GLOBAL DRAIN TEMPLATE	3/19/2024	DK