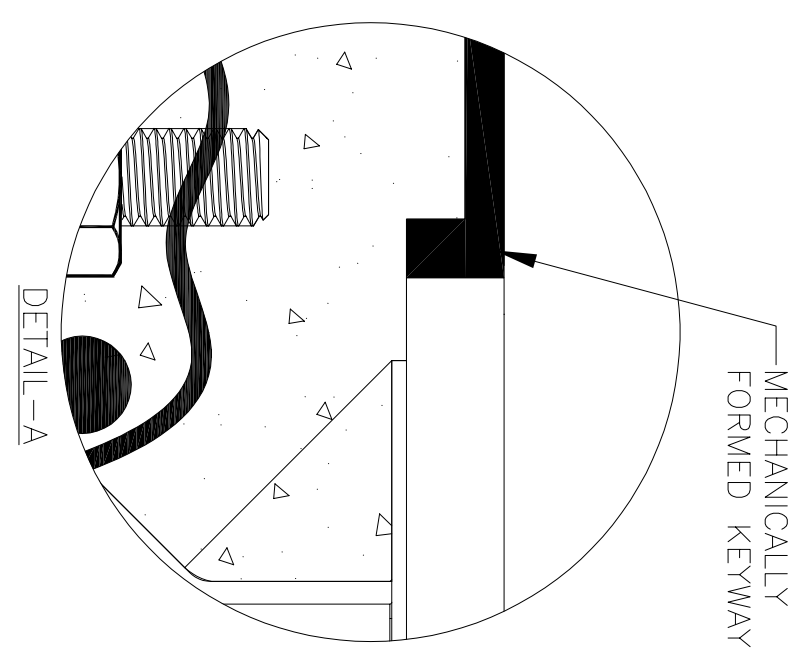
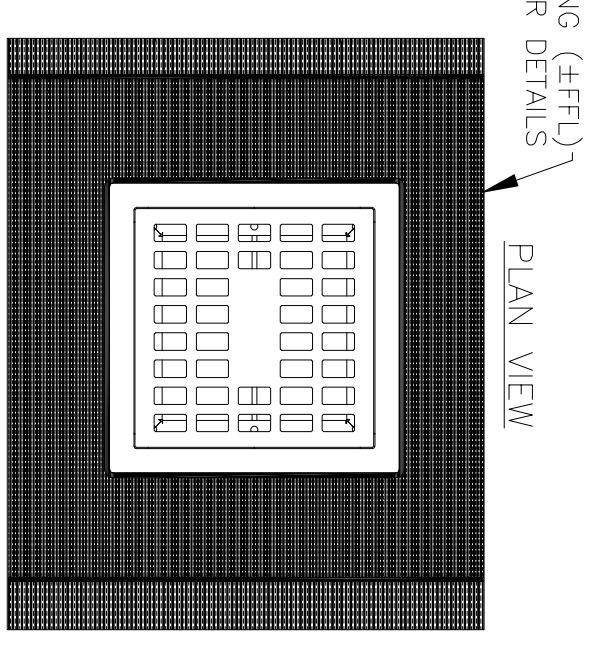
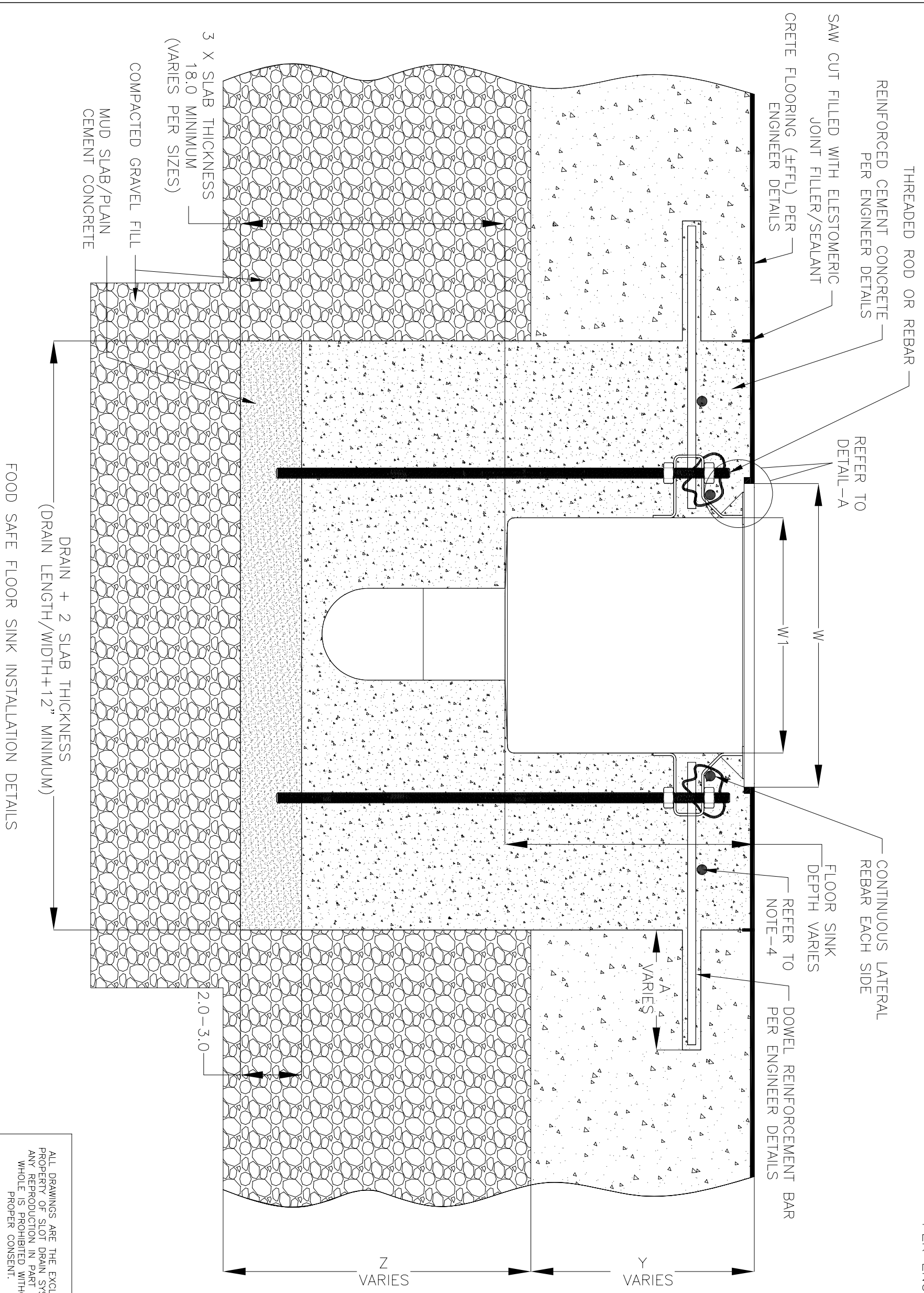


NOTES: UNLESS OTHERWISE SPECIFIED

1. ALL DIMENSIONS ARE IN INCHES.
2. FLOOR SINK BODY MATERIAL: 14GA STAINLESS STEEL T304/T316.
3. THIS INSTALLATION IS IDENTICAL FOR ALL SIZED OF FLOOR SINKS.
4. SPECIFYING ENGINEER IS RESPONSIBLE FOR CONCRETE ENCASUREMENT AND REINFORCING BASED UPON APPLICATION AND LOCAL CODES.
5. REFER TO <https://info.slotdrainsystems.com/installresources> FOR INSTALLATION INSTRUCTIONS.



ALL DRAWINGS ARE THE EXCLUSIVE PROPERTY OF SLOT DRAIN SYSTEMS. ANY REPRODUCTION IN PART OR IN WHOLE IS PROHIBITED WITHOUT PROPER CONSENT.



GLOBAL DRAIN
TECHNOLOGIES

DRAWING TITLE
CRETE FLOOR-RETROFIT INSTALLATION

DRAIN SERIES
FOOD SAFE FLOOR SINK DRAIN LAYOUT

DWG NO. IN-SDADS-100-R0

REV	DESCRIPTION	DATE	BY
0	INITIAL RELEASE - R0	5/9/2024	DK

REV	DESCRIPTION	DATE	BY
0	INITIAL RELEASE - R0	5/9/2024	DK

DWM NO.	SIZE	SCALE	SHEET	REV.
IN-SDADS-100-R0	B	NTS	1 OF 1	0