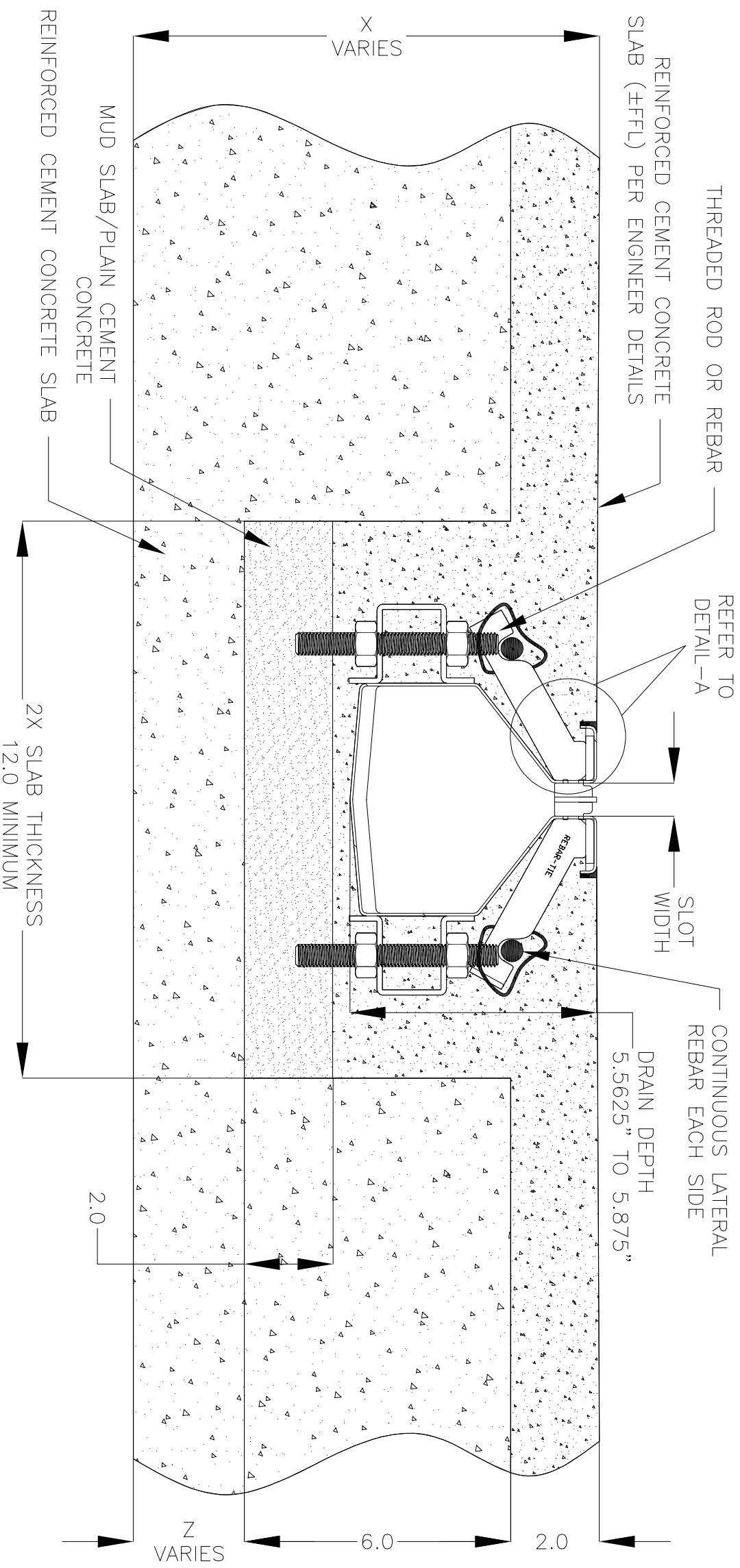


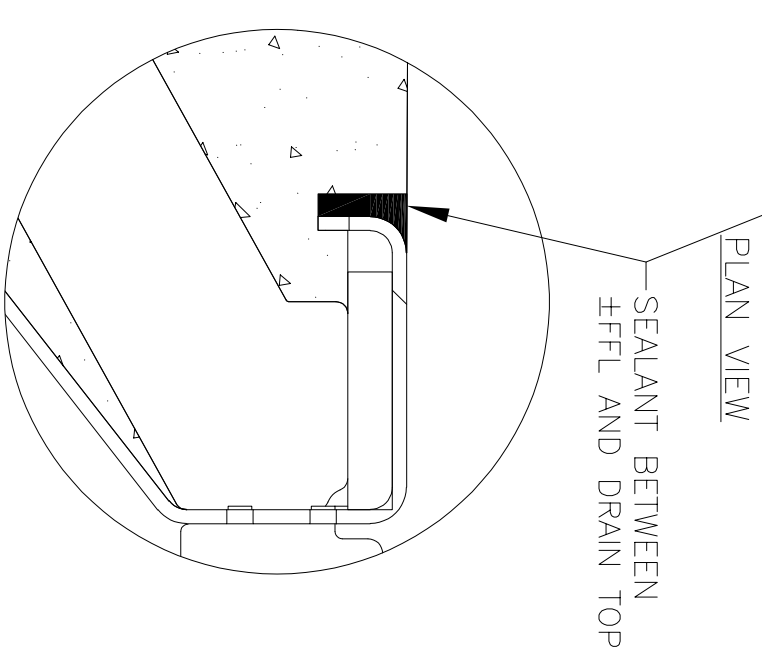
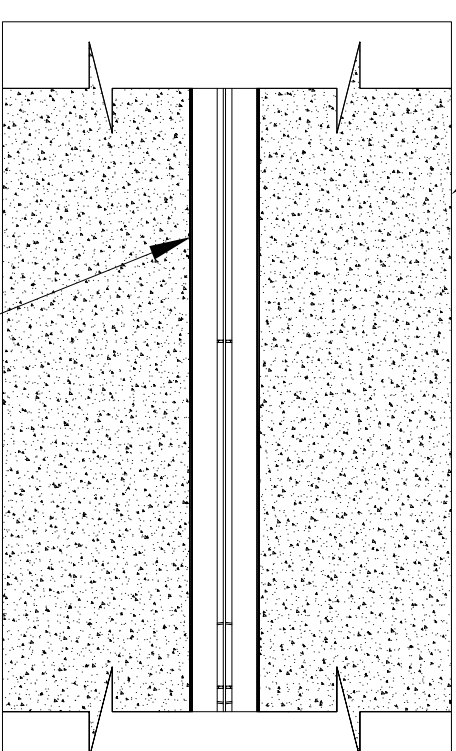
NOTES: UNLESS OTHERWISE SPECIFIED

1. ALL DIMENSIONS ARE IN INCHES.
2. DRAIN BODY MATERIAL: 16GA STAINLESS STEEL T316
3. SPECIFYING ENGINEER IS RESPONSIBLE FOR CONCRETE ENCASUREMENT AND REINFORCING BASED UPON APPLICATION AND LOCAL CODES.
4. REFER TO <https://info.slotdrainsystems.com/installresources> FOR INSTALLATION INSTRUCTIONS.



2000 SERIES ELEVATOR DUAL SLOT DRAIN INSTALLATION DETAILS

CONCRETE FLOORING (±FFL)
PER ENGINEER DETAILS



DETAIL-A



DRAWING TITLE

CONCRETE FLOOR-NEW CONSTRUCTION INSTALLATION

DRAIN SERIES

2000 SERIES ELEVATOR DUAL SLOT DRAIN

DWG NO. IN-SD26031-0-001-RO

SIZE B

SCALE NTS

SHEET 1 OF 1

ALL DRAWINGS ARE THE EXCLUSIVE PROPERTY OF SLOT DRAIN SYSTEMS. ANY REPRODUCTION IN PART OR IN WHOLE IS PROHIBITED WITHOUT PROPER CONSENT.

REVISIONS			DATE	BY
REV	DESCRIPTION	DATE		
0	INITIAL RELEASE - RO	6/18/2024	DK	