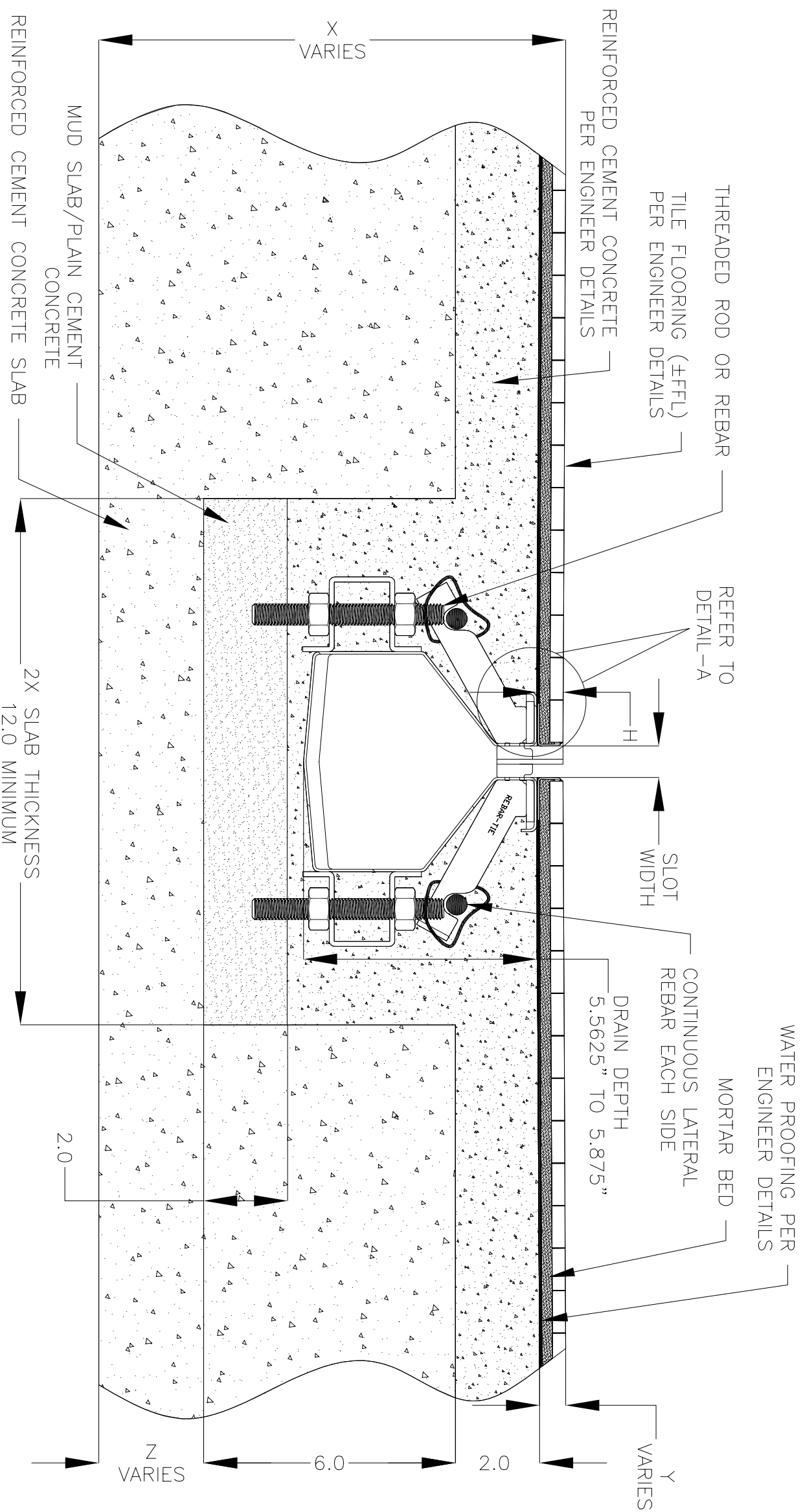


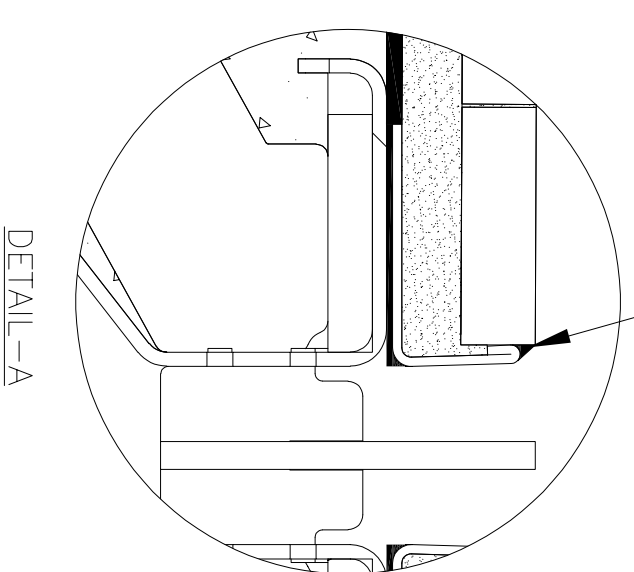
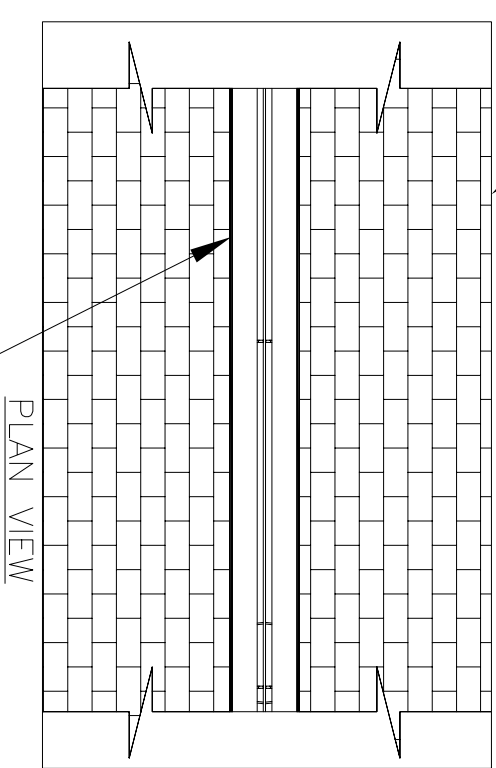
NOTES: UNLESS OTHERWISE SPECIFIED

1. ALL DIMENSIONS ARE IN INCHES.
2. DRAIN BODY MATERIAL: 16GA STAINLESS STEEL T316
3. SPECIFYING ENGINEER IS RESPONSIBLE FOR CONCRETE ENCASUREMENT AND REINFORCING BASED UPON APPLICATION AND LOCAL CODES.
4. REFER TO <https://info.slotdrainsystems.com/installresources> FOR INSTALLATION INSTRUCTIONS.



2000 SERIES ELEVATOR DUAL SLOT DRAIN INSTALLATION DETAILS

TILE FLOORING (±FFL) PER ENGINEER DETAILS



REVISIONS			DATE	BY
REV	DESCRIPTION			
0	INITIAL RELEASE - R0		6/18/2024	DK



DRAWING TITLE		TILE FLOOR-NEW CONSTRUCTION INSTALLATION	
DRAIN SERIES		2000 SERIES ELEVATOR DUAL SLOT DRAIN	
DWG NO.	SIZE	SCALE	SHEET
IN-SD26031-H-002-R0	B	NTS	1 OF 1
REV.			0

ALL DRAWINGS ARE THE EXCLUSIVE PROPERTY OF SLOT DRAIN SYSTEMS. ANY REPRODUCTION IN PART OR IN WHOLE IS PROHIBITED WITHOUT PROPER CONSENT.