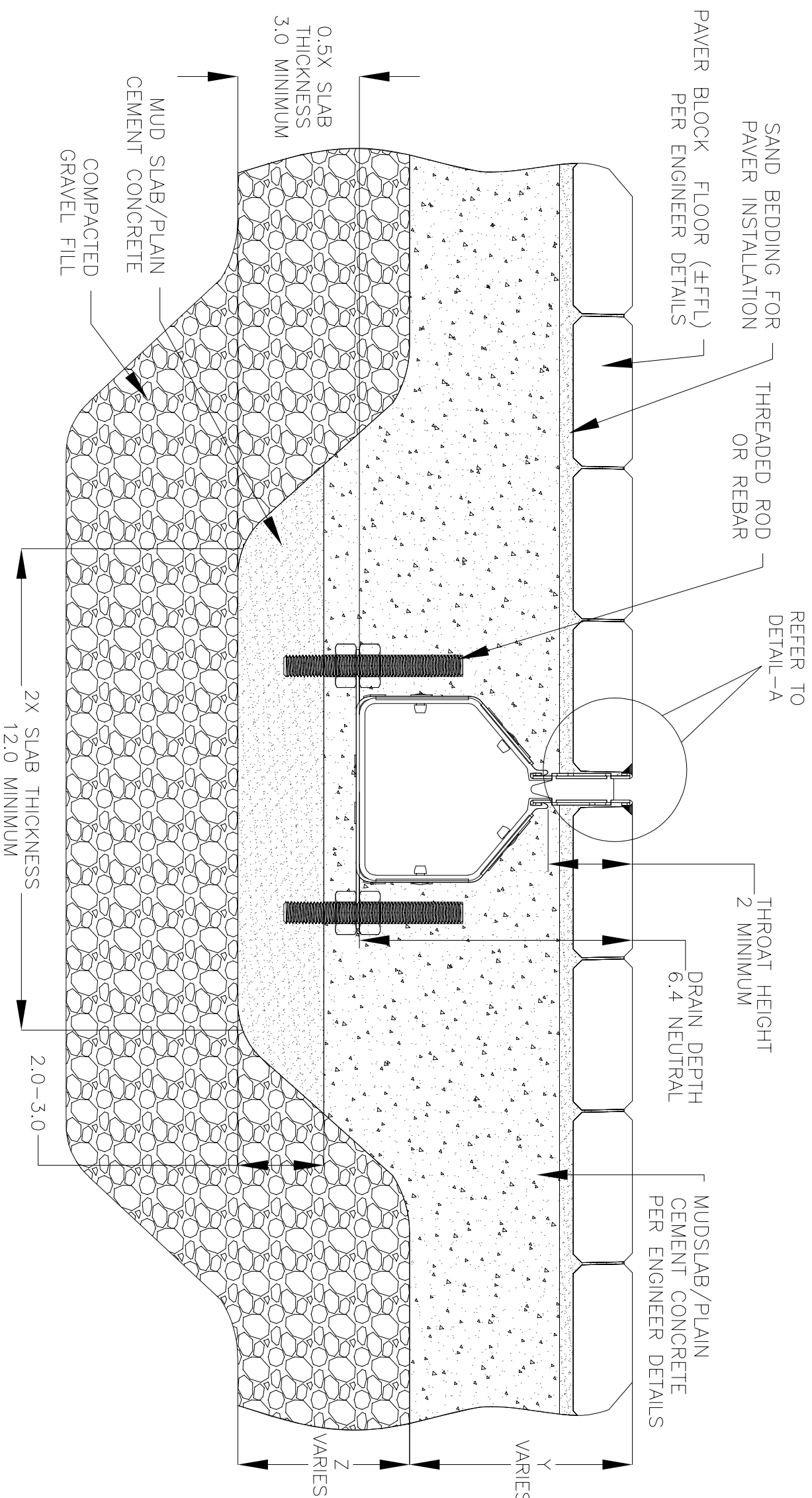


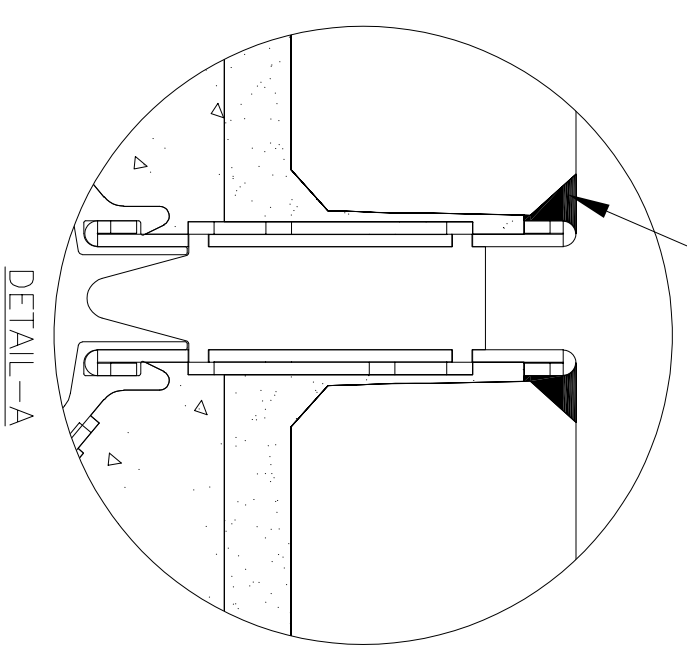
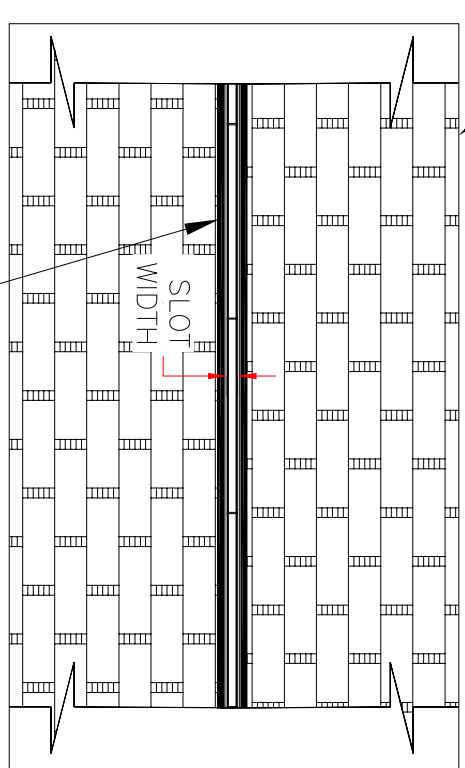
NOTES: UNLESS OTHERWISE SPECIFIED

1. ALL DIMENSIONS ARE IN INCHES.
2. DRAIN THROAT MATERIAL: STAINLESS STEEL T304/T316
3. DRAIN BODY MATERIAL: HIGH END PLASTIC
4. SPECIFYING ENGINEER IS RESPONSIBLE FOR CONCRETE ENCASUREMENT AND REINFORCING BASED UPON APPLICATION AND LOCAL CODES.
5. REFER TO <https://info.slotdrainsystems.com/installresources> FOR INSTALLATION INSTRUCTIONS.



3000 SERIES SLOT DRAIN INSTALLATION DETAILS

PAVER BLOCK FLOORING (±FFL) PER ENGINEER DETAILS



REVISIONS

REV	DESCRIPTION	DATE	BY
0	INITIAL RELEASE - RO	12/8/2019	DK
1	UPDATED THE DRAIN LAYOUT	7/14/2021	DK
2	UPDATED WITH GLOBAL DRAIN TEMPLATE	2/14/2024	DK



DRAWING TITLE  
PAVER BLOCK-NEW CONSTRUCTION INSTALLATION

DRAIN SERIES  
3000 SERIES SLOT DRAIN

DWG NO.  
IN-SD3000-001-R2

SIZE  
B

SCALE  
NTS

SHEET  
1 OF 1

REV.  
2

ALL DRAWINGS ARE THE EXCLUSIVE PROPERTY OF SLOT DRAIN SYSTEMS. ANY REPRODUCTION IN PART OR IN WHOLE IS PROHIBITED WITHOUT PROPER CONSENT.