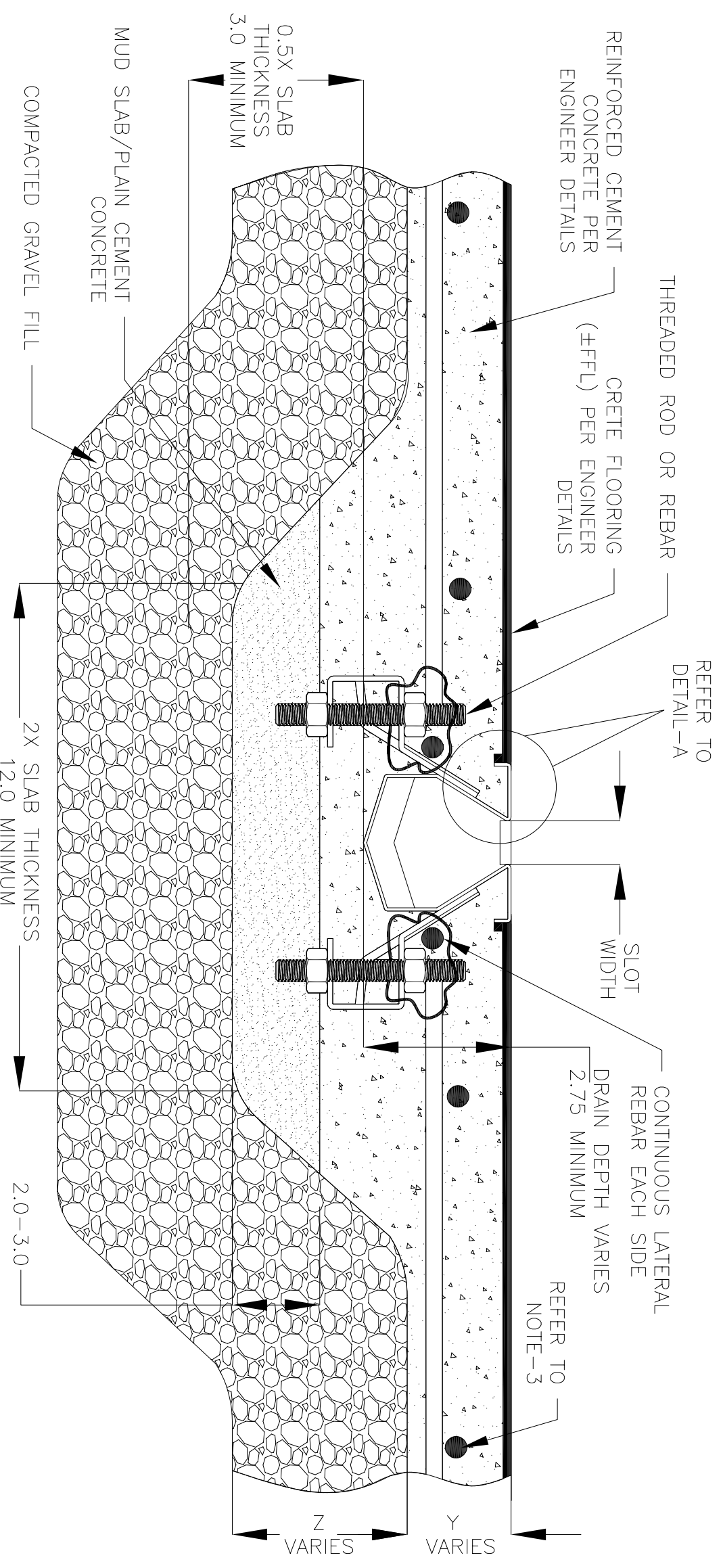


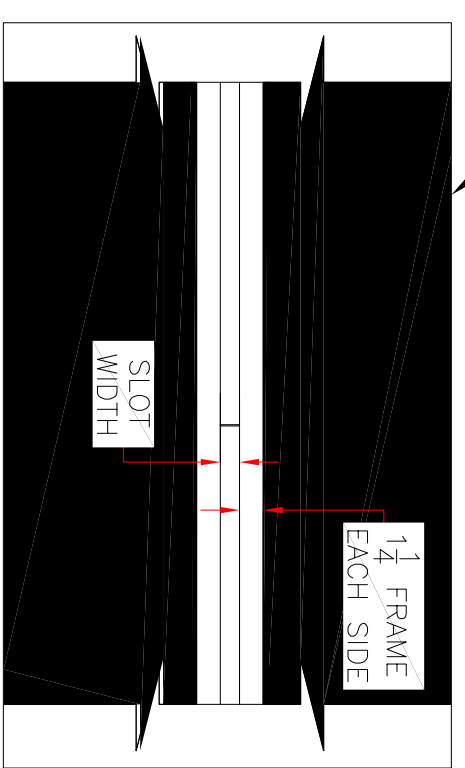
NOTES: UNLESS OTHERWISE SPECIFIED

1. ALL DIMENSIONS ARE IN INCHES.
2. DRAIN BODY MATERIAL: 16GA STAINLESS STEEL T304/T316
3. SPECIFYING ENGINEER IS RESPONSIBLE FOR CONCRETE ENCASUREMENT AND REINFORCING BASED UPON APPLICATION AND LOCAL CODES.
4. REFER TO <https://info.slotdrainsystems.com/installresources> FOR INSTALLATION INSTRUCTIONS.

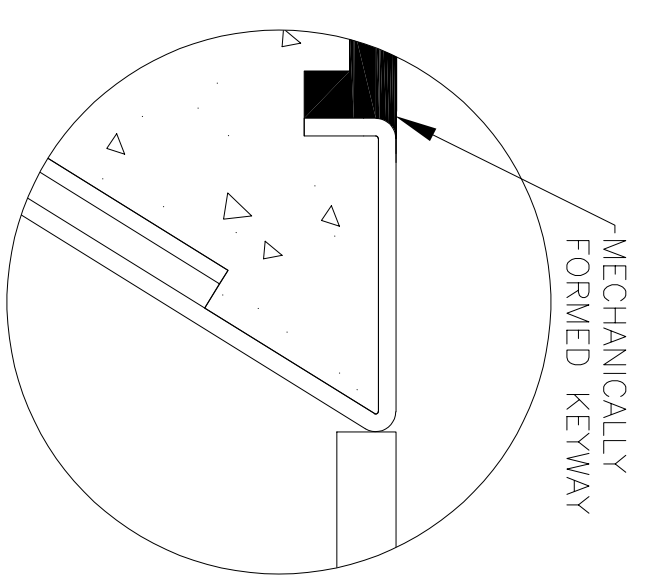


6000 SERIES SLOT DRAIN INSTALLATION DETAILS

CREE FLOORING (±FFL) PER ENGINEER DETAILS



PLAN VIEW



DETAIL-A

| REVISIONS | | DATE | BY |
|-----------|------------------------------------|------------|----|
| REV | DESCRIPTION | DATE | BY |
| 0 | INITIAL RELEASE - R0 | 11/14/2019 | DK |
| 1 | UPDATED THE DRAIN LAYOUT | 12/2/2020 | DK |
| 2 | UPDATED THE REBAR DETAILS | 7/14/2021 | DK |
| 3 | UPDATED WITH GLOBAL DRAIN TEMPLATE | 3/19/2024 | DK |



DRAWING TITLE

CREE FLOOR-NEW CONSTRUCTION INSTALLATION

DRAIN SERIES

6000 SERIES SLOT DRAIN

REV. 3

DWG NO.

IN-SD6000-001-R3

SIZE B

SCALE NTS

SHEET 1 OF 1

ALL DRAWINGS ARE THE EXCLUSIVE PROPERTY OF SLOT DRAIN SYSTEMS. ANY REPRODUCTION IN PART OR IN WHOLE IS PROHIBITED WITHOUT PROPER CONSENT.