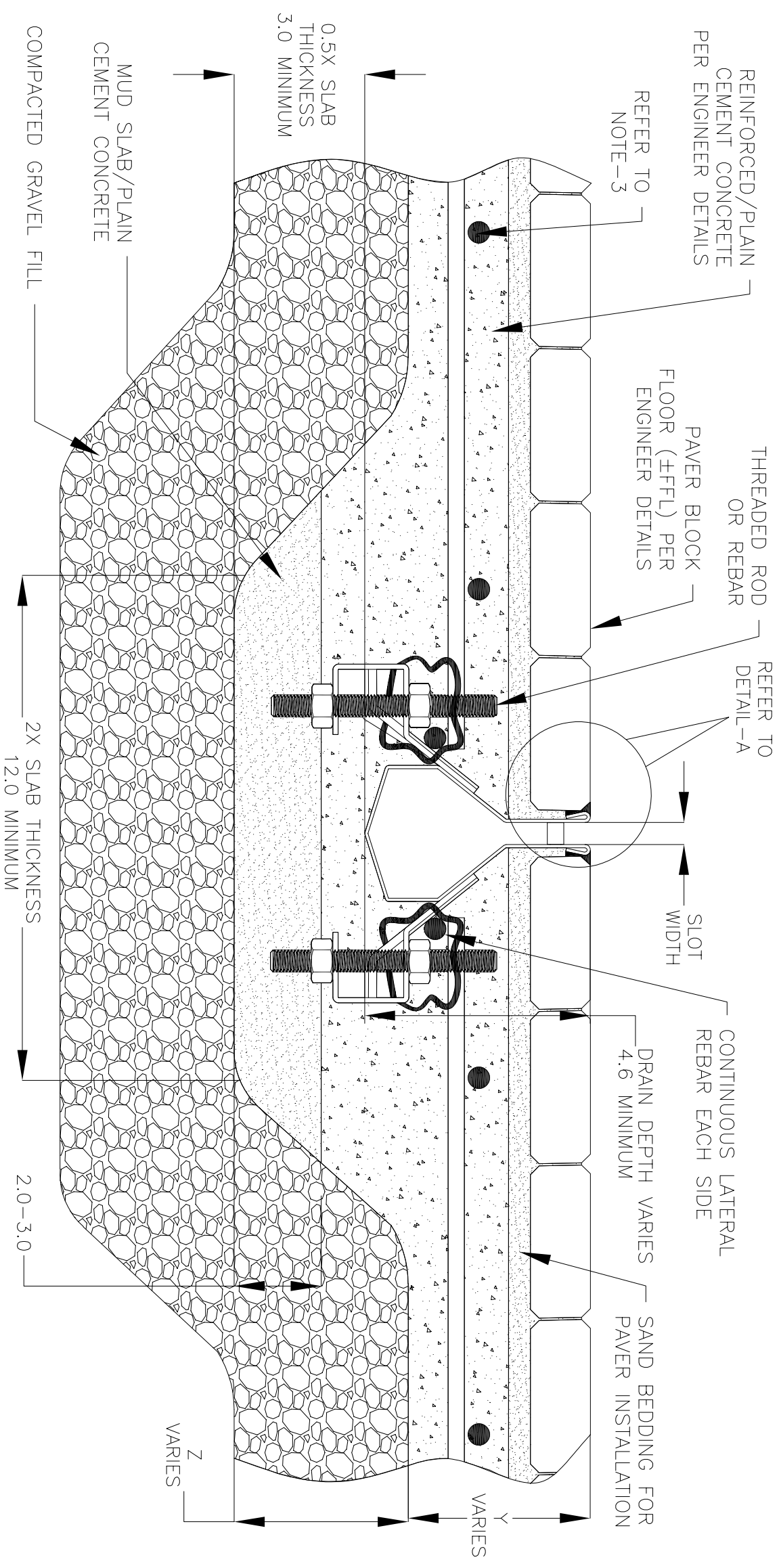


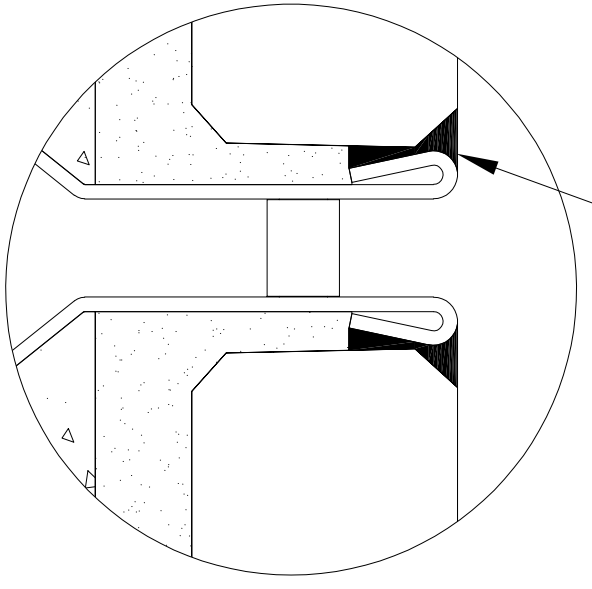
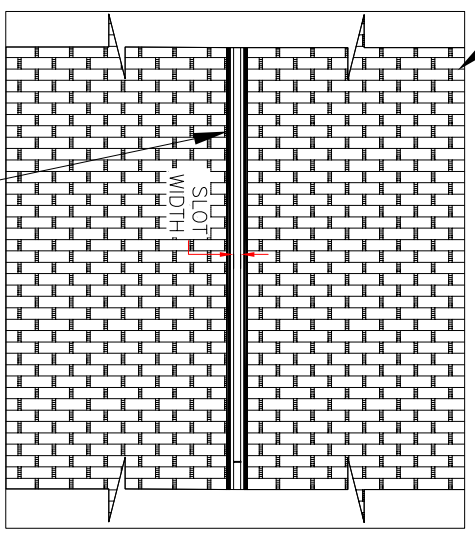
NOTES: UNLESS OTHERWISE SPECIFIED

1. ALL DIMENSIONS ARE IN INCHES.
2. DRAIN BODY MATERIAL: 14GA STAINLESS STEEL T304/T316
3. SPECIFYING ENGINEER IS RESPONSIBLE FOR CONCRETE ENCASEMENT AND REINFORCING BASED UPON APPLICATION AND LOCAL CODES.
4. REFER TO <https://info.slotdrainsystems.com/installresources> FOR INSTALLATION INSTRUCTIONS.



7000N SERIES SLOT DRAIN INSTALLATION DETAILS

PAVER BLOCK FLOORING (FFFL) PER ENGINEER DETAILS



REVISIONS		DATE	BY
REV	DESCRIPTION		
0	INITIAL RELEASE - R0	4/26/2019	DK
1	UPDATED THE DRAIN LAYOUT	12/2/2020	DK
2	UPDATED THE DRAIN & REBAR DETAILS	7/14/2021	DK

SLOT DRAIN
SYSTEMS

855.497.7508
info@slotdrainsystems.com
www.slotdrainsystems.com

DRAWING TITLE		PAVER BLOCK FLOOR-NEW CONSTRUCTION INSTALLATION	
DRAIN SERIES		7000N SERIES SLOT DRAIN	
DWG NO.	SIZE	SCALE	SHEET
IN-SD7000N-004-R2	B	NTS	1 OF 1
REV.		2	

ALL DRAWINGS ARE THE EXCLUSIVE PROPERTY OF SLOT DRAIN SYSTEMS. ANY REPRODUCTION IN PART OR IN WHOLE IS PROHIBITED WITHOUT PROPER CONSENT.