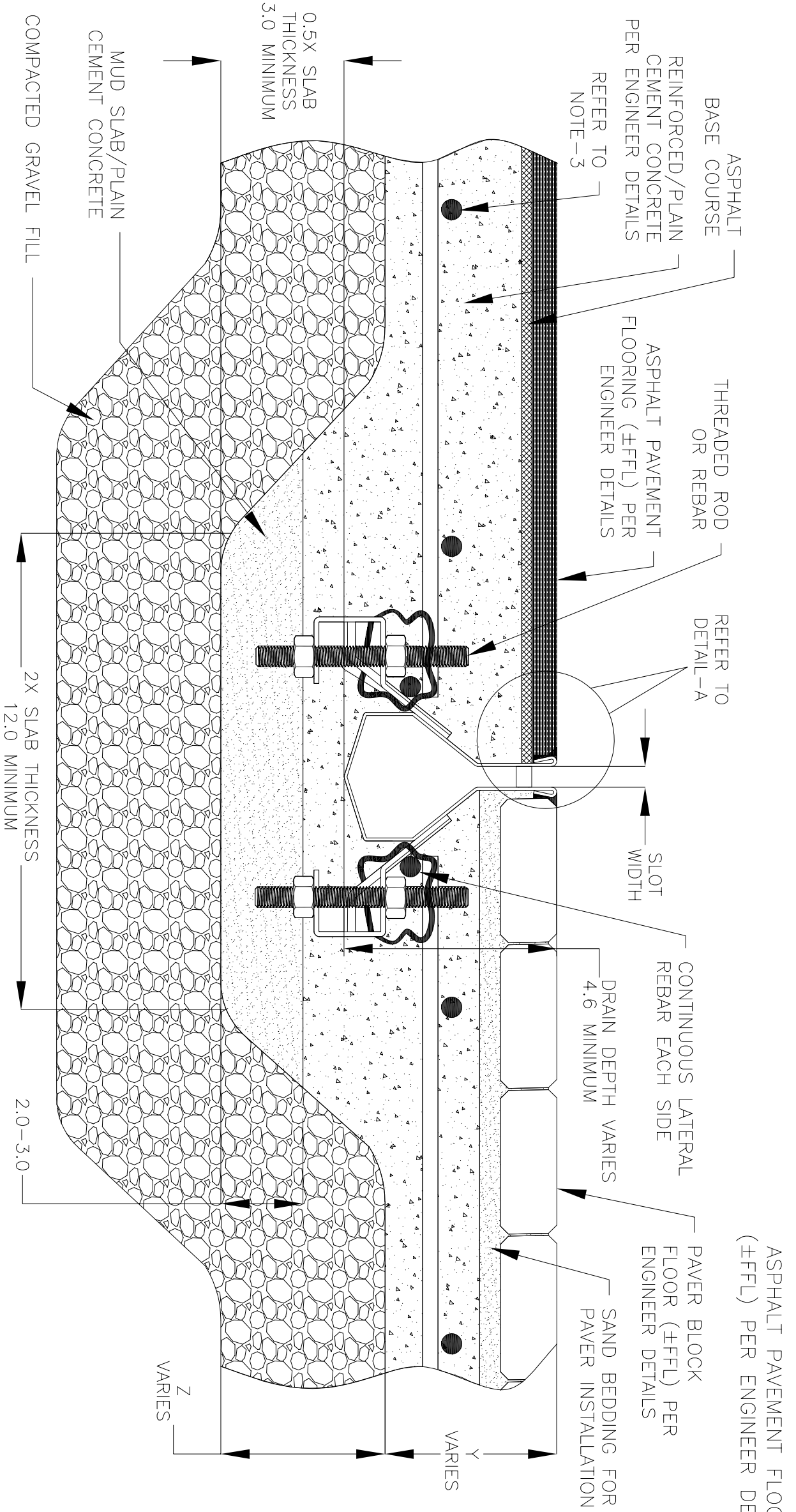
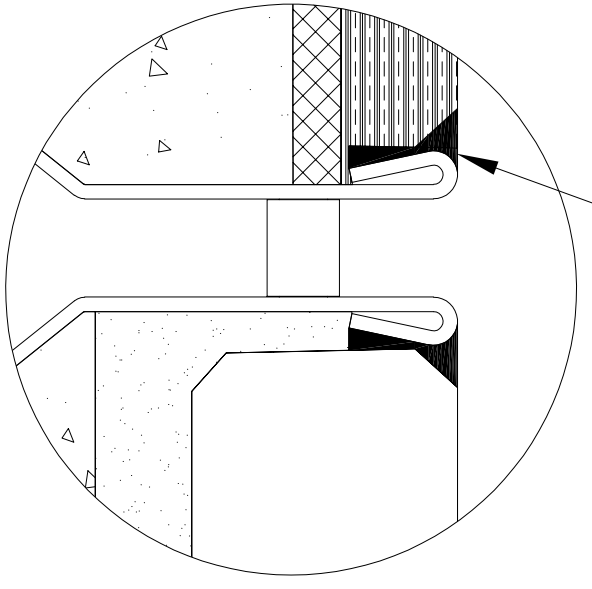
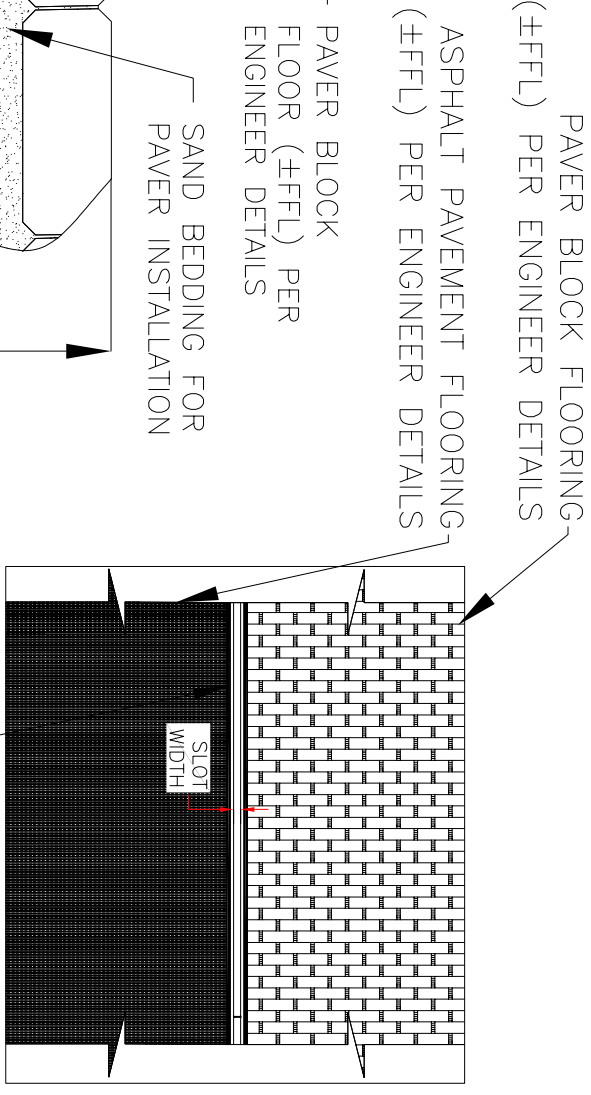


NOTES: UNLESS OTHERWISE SPECIFIED

1. ALL DIMENSIONS ARE IN INCHES.
2. DRAIN BODY MATERIAL: 1 4GA STAINLESS STEEL T304/T316
3. SPECIFYING ENGINEER IS RESPONSIBLE FOR CONCRETE ENCASUREMENT AND REINFORCING BASED UPON APPLICATION AND LOCAL CODES.
4. REFER TO <https://info.slotdrainsystems.com/installresources> FOR INSTALLATION INSTRUCTIONS.



7000N SERIES SLOT DRAIN INSTALLATION DETAILS



REVISIONS		DATE	BY
REV	DESCRIPTION		
0	INITIAL RELEASE - R0	9/18/2019	DK
1	UPDATED THE DRAIN LAYOUT	12/2/2020	DK
2	UPDATED THE DRAIN & REBAR DETAILS	7/14/2021	DK

ALL DRAWINGS ARE THE EXCLUSIVE PROPERTY OF SLOT DRAIN SYSTEMS. ANY REPRODUCTION IN PART OR IN WHOLE IS PROHIBITED WITHOUT PROPER CONSENT.

DWG NO.	SIZE	SCALE	SHEET
IN-SD7000N-005-R2	B	NTS	1 OF 1

**SLOT DRAIN SYSTEMS**  
 855.497.7508  
 info@slotdrainsystems.com  
 www.slotdrainsystems.com

DRAWING TITLE	PAVER+ASPHALT FLOOR-NEW CONSTRUCTION INSTALLATION
DRAIN SERIES	7000N SERIES SLOT DRAIN
REV.	2