



SPECIFICATIONS

GENERAL:

The surface drainage system shall be 3000 Series Landscape Slot Drain complete with slotted linear trench opening as manufactured by Landscape Drains.

MATERIALS:

- T304 / T316 Stainless Steel Lip
- PVC Plastic Body

DESIGN OPTIONS:

- Lip Material (\$): SS304 (5), SS316 (6)
- Slot Opening (#): 1/2" (0)
- End (*): Open (0), End Cap (1), Flush Nipple (5)
- Section Lengths: 40" and 24"
- Custom Lengths Available
- All Neutral Drain Sections**

FLOW RATE:

1/2" 11 gpm (per foot of drain)

LOAD CLASS:

Load Class A

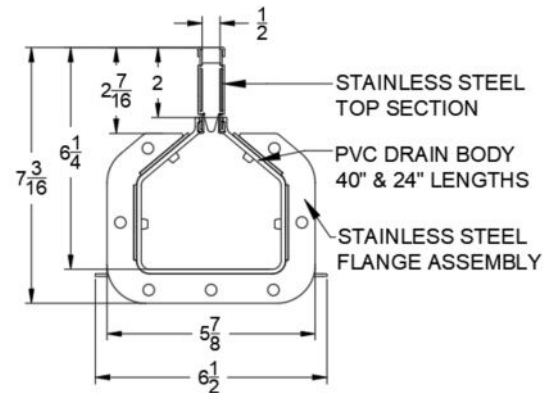
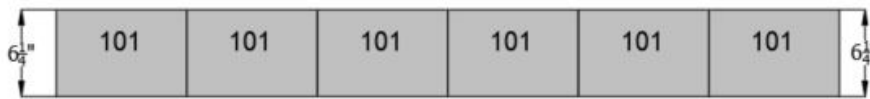
ACCESSORIES:

Cleaning paddle, Flush Flo

INSTALLATION:

The 3000 Series Landscape Slot Drain shall be installed in accordance with the manufacturer's installation instructions and recommendations.

TYPICAL PROFILE OF A 3000 SERIES LANDSCAPE SLOT DRAIN®



DRAIN CHANNELS

DESCRIPTION	PART NO.	INVERT DEPTH INCHES
3000 SERIES PVC SLOT - 2" TOP	SD3\$*#-101-2	6 1/4

CATCH BASIN

DESCRIPTION	TOP WIDTH INCHES	TOP LENGTH INCHES	BOTTOM WIDTH INCHES	BOTTOM LENGTH INCHES	HEIGHT INCHES	OUTLET HEIGHT INCHES
3000 SS CB	7 1/8	7 1/8	6 1/8	7 1/8	7 9/16	4