

SPECIFICATIONS

GENERAL:

The surface drainage system shall be 6000 Series Landscape Slot Drain complete with slotted linear trench opening as manufactured by Landscape Drains.

MATERIALS:

T304 Stainless Steel, T316 Stainless Steel

SLOPE:

0.5% Standard

DESIGN OPTIONS:

Material (\$): SS304(5), SS316(6)
Slot Opening (#): 13mm (0), 25mm (1), 32mm (5)
End (*): Open (0), End Cap (1), Flush Nipple (5)
Section Lengths: Full 2.946m, Half 1.473m
Custom Lengths available

FLOW RATE:

13mm 42 lpm (per 30 cm of drain)
25mm 68 lpm (per 30 cm of drain)
32mm 102 lpm (per 30 cm of drain)

LOAD CLASS:

Load Class C

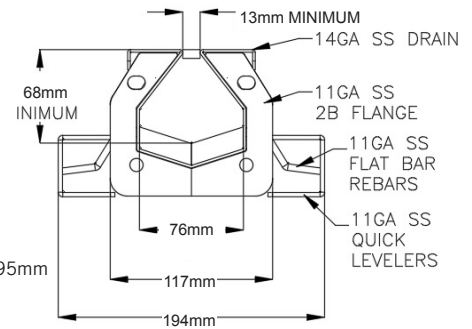
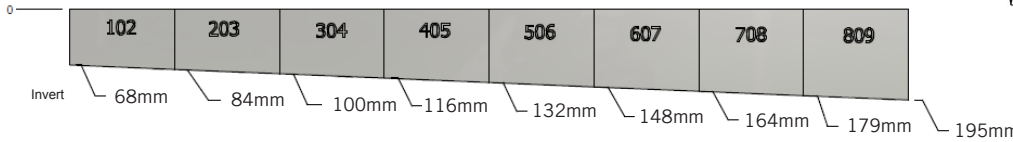
ACCESSORIES:

Cleaning paddle, Cleaning Brush, Flush Flo, CIP

INSTALLATION:

The 6000 Series Landscape Slot Drain shall be installed in accordance with the manufacturer's installation instructions and recommendations.

TYPICAL MODULAR LAYOUT OF A 6000 SERIES SLOT DRAIN® SYSTEM
(Sections fit together as illustrated below)



DRAIN CHANNELS

DESCRIPTION	PART NO.	INVERT SHALLOW MM	INVERT DEEP MM
6000 SERIES SS SLOT 102 HALF	SD6\$*# - 102B	76	84
6000 SERIES SS SLOT 102	SD6\$*# - 102	68	84
6000 SERIES SS SLOT 203	SD6\$*# - 203	84	100
6000 SERIES SS SLOT 304	SD6\$*# - 304	100	116
6000 SERIES SS SLOT 405	SD6\$*# - 405	116	132
6000 SERIES SS SLOT 506	SD6\$*# - 506	132	148
6000 SERIES SS SLOT 607	SD6\$*# - 607	148	164
6000 SERIES SS SLOT 708	SD6\$*# - 708	164	179
6000 SERIES SS SLOT 809	SD6\$*# - 809	179	195

NOTE:

Also available with 90° sections, 'T' sections, and Transition Pits for all of the depths specified above.

CATCH BASIN

LID: STANDARD, TRI-CLAMP AND PAN-LID OPTIONS ARE AVAILABLE AND STRAINER IS PART OF THE CATCH BASIN

DESCRIPTION	TOP WIDTH MM	TOP LENGTH MM	BOTTOM WIDTH MM	BOTTOM LENGTH MM	HEIGHT MM	OUTLET SIZE MM
6000 SS CB SMALL	152	152	152	152	305	102
6000 SS CB MEDIUM	152	305	152	305	305	102
6000 SS CB LARGE	305	305	305	305	305 or 511	102 or 152.4

SPECIFYING ENGINEER IS RESPONSIBLE FOR CONCRETE ENCASEMENT AND REINFORCING BASED UPON APPLICATION AND LOCAL CODES. LANDSCAPE DRAINS RESERVES THE RIGHT TO CHANGE THE PRODUCT AND SPECIFICATIONS WITHOUT NOTICE