



SPECIFICATIONS

GENERAL:

The surface drainage system shall be 7000 Series Landscape Slot Drain complete with slotted linear trench opening as manufactured by Landscape Drains.

MATERIALS:

T304 Stainless Steel, T316 Stainless Steel

SLOPE:

0.5% Standard

DESIGN OPTIONS:

ADA Compliant
 Material (\$): SS304(5), SS316(6)
 Slot Opening (#): 13mm (0), 25mm (1), 32mm (5)
 End (*): Open (0), End Cap (1), Flush Nipple (5)
 Section Lengths: Full 2.946m, Half 1.473m
 Custom Lengths available

FLOW RATE:

13mm 42 lpm (per 30 cm of drain)
 25mm 68 lpm (per 30 cm of drain)
 32mm 102 lpm (per 30 cm of drain)

LOAD CLASS:

Load Class C

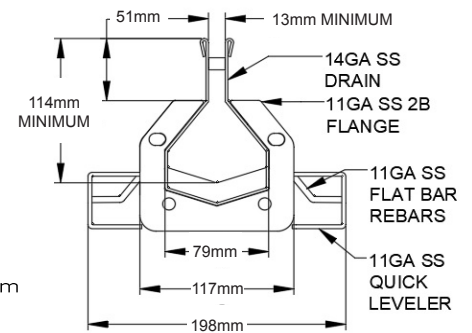
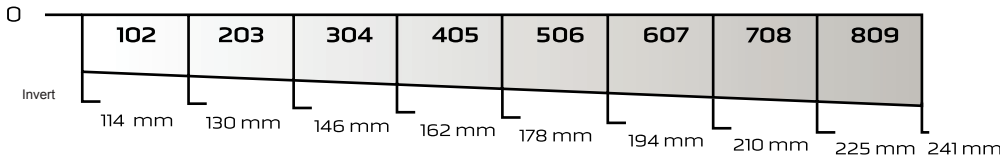
ACCESSORIES:

Cleaning paddle, Flush Flo

INSTALLATION:

The 7000 Series Landscape Slot Drain shall be installed in accordance with the manufacturer's installation instructions and recommendations.

TYPICAL MODULAR LAYOUT OF A 7000 SERIES LANDSCAPE SLOT DRAIN®
 (Sections fit together as illustrated below)



DRAIN CHANNELS

DESCRIPTION	PART NO.	INVERT SHALLOW MM	INVERT DEEP MM
7000 SERIES SS SLOT 102 HALF	SD7\$*# - 102B	122	130
7000 SERIES SS SLOT 102	SD7\$*# - 102	114	130
7000 SERIES SS SLOT 203	SD7\$*# - 203	130	146
7000 SERIES SS SLOT 304	SD7\$*# - 304	146	162
7000 SERIES SS SLOT 405	SD7\$*# - 405	162	178
7000 SERIES SS SLOT 506	SD7\$*# - 506	178	194
7000 SERIES SS SLOT 607	SD7\$*# - 607	194	210
7000 SERIES SS SLOT 708	SD7\$*# - 708	210	225
7000 SERIES SS SLOT 809	SD7\$*# - 809	225	241

NOTE:

Also available with 90° sections, 'T' sections, and Transition Pits for all of the depths specified above.

CATCH BASIN

LID: STANDARD AND PAN-LID OPTIONS ARE AVAILABLE AND STRAINER IS PART OF THE CATCH BASIN

DESCRIPTION	TOP WIDTH MM	TOP LENGTH MM	BOTTOM WIDTH MM	BOTTOM LENGTH MM	HEIGHT MM	OUTLET SIZE MM
7000 SS CB SMALL	152	152	152	152	305	102
7000 SS CB MEDIUM	152	305	152	305	305	102
7000 SS CB LARGE	305	305	305	305	511	102 - 152

SPECIFYING ENGINEER IS RESPONSIBLE FOR CONCRETE ENCASEMENT AND REINFORCING BASED UPON APPLICATION AND LOCAL CODES. LANDSCAPE DRAINS RESERVES THE RIGHT TO CHANGE THE PRODUCT AND SPECIFICATIONS WITHOUT NOTICE