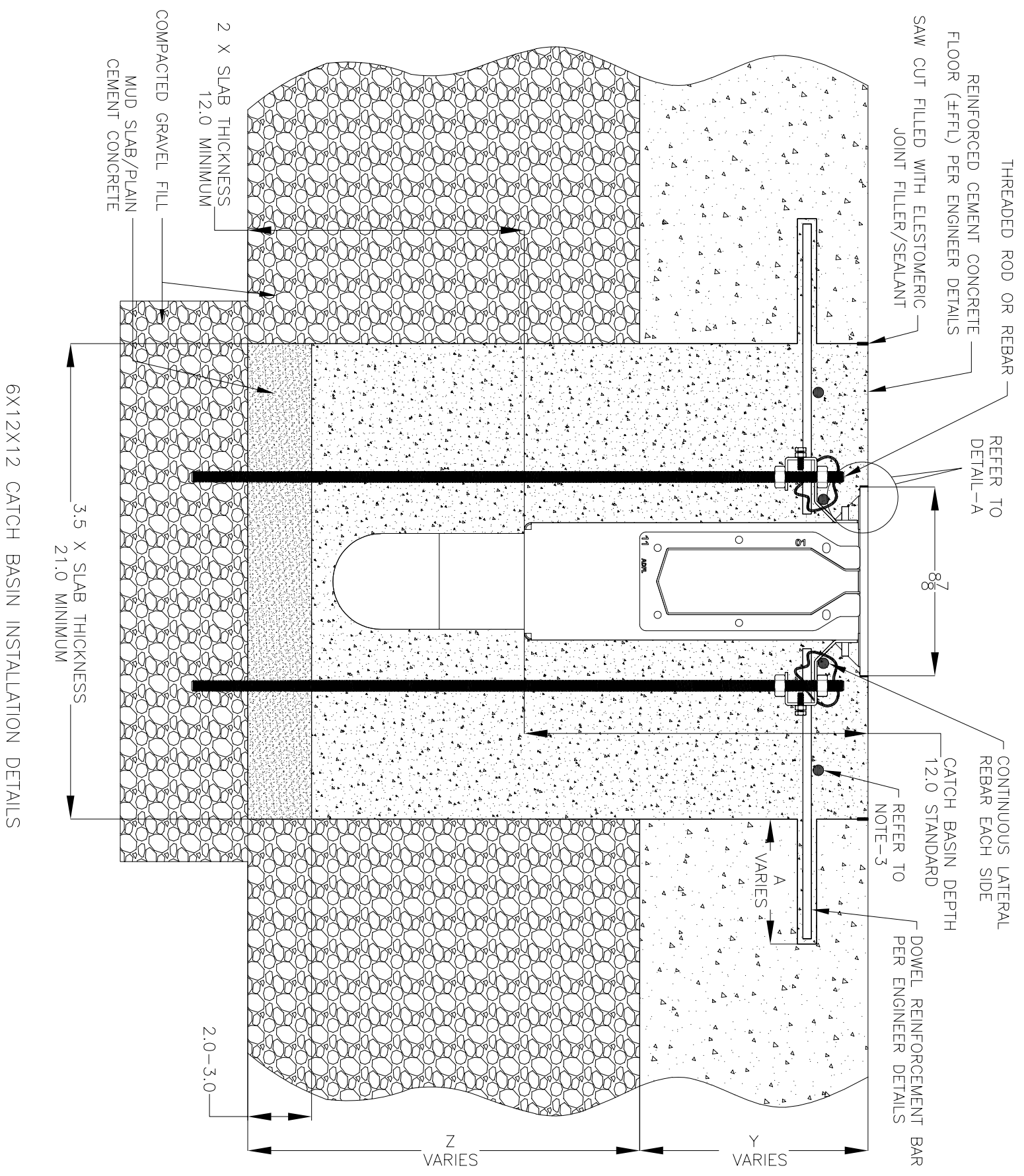


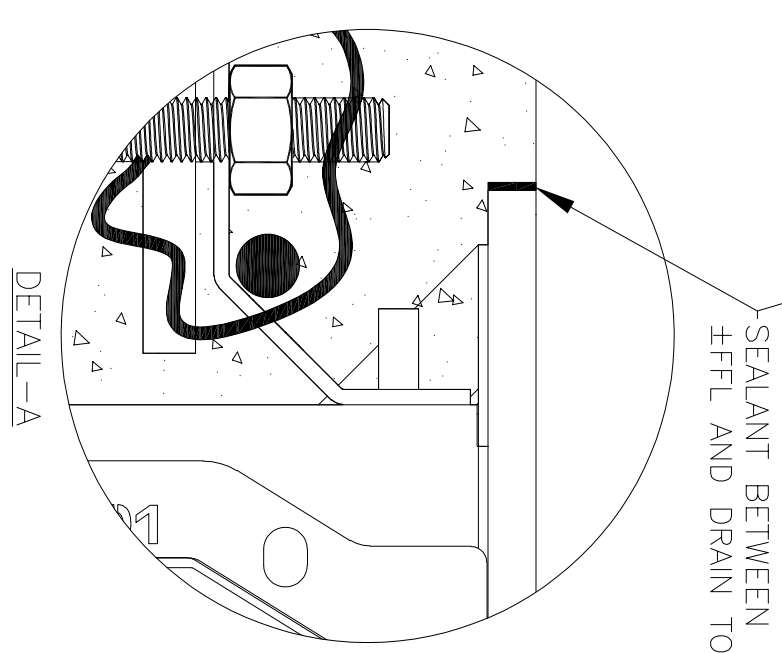
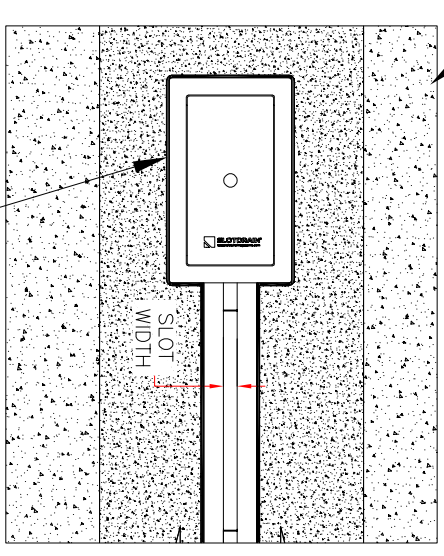
NOTES: UNLESS OTHERWISE SPECIFIED

1. ALL DIMENSIONS ARE IN INCHES.
2. DRAIN BODY MATERIAL: 14GA STAINLESS STEEL T304/T316
3. SPECIFYING ENGINEER IS RESPONSIBLE FOR CONCRETE ENCASEMENT AND REINFORCING BASED UPON APPLICATION AND LOCAL CODES.
4. REFER TO <https://info.slotdrainsystems.com/installresources> FOR INSTALLATION INSTRUCTIONS.



6X12X12 CATCH BASIN INSTALLATION DETAILS

REINFORCED CEMENT CONCRETE FLOOR (±FFL) PER ENGINEER DETAILS



| REVISIONS |  | DATE       | BY |
|-----------|--|------------|----|
| 0         | INITIAL RELEASE - R0                   | 11/20/2019 | DK |
| 1         | UPDATED DRAWING LAYOUT & REBAR DETAILS | 7/14/2021  | DK |

**SLOT DRAIN**  
SYSTEMS

855.497.7508  
info@slotdrainsystems.com  
www.slotdrainsystems.com

|                        |      |                                      |        |
|------------------------|------|--------------------------------------|--------|
| DRAWING TITLE          |      | CONCRETE FLOOR-RETROFIT INSTALLATION |        |
| DRAIN SERIES           |      | 6X12X12 CATCH BASIN                  |        |
| DWG NO.                | SIZE | SCALE                                | SHEET  |
| IN-6X12X12FGPIT-100-R1 | B    | NTS                                  | 1 OF 1 |
| REV.                   |      |                                      | 1      |

ALL DRAWINGS ARE THE EXCLUSIVE PROPERTY OF SLOT DRAIN SYSTEMS. ANY REPRODUCTION IN PART OR IN WHOLE IS PROHIBITED WITHOUT PROPER CONSENT.