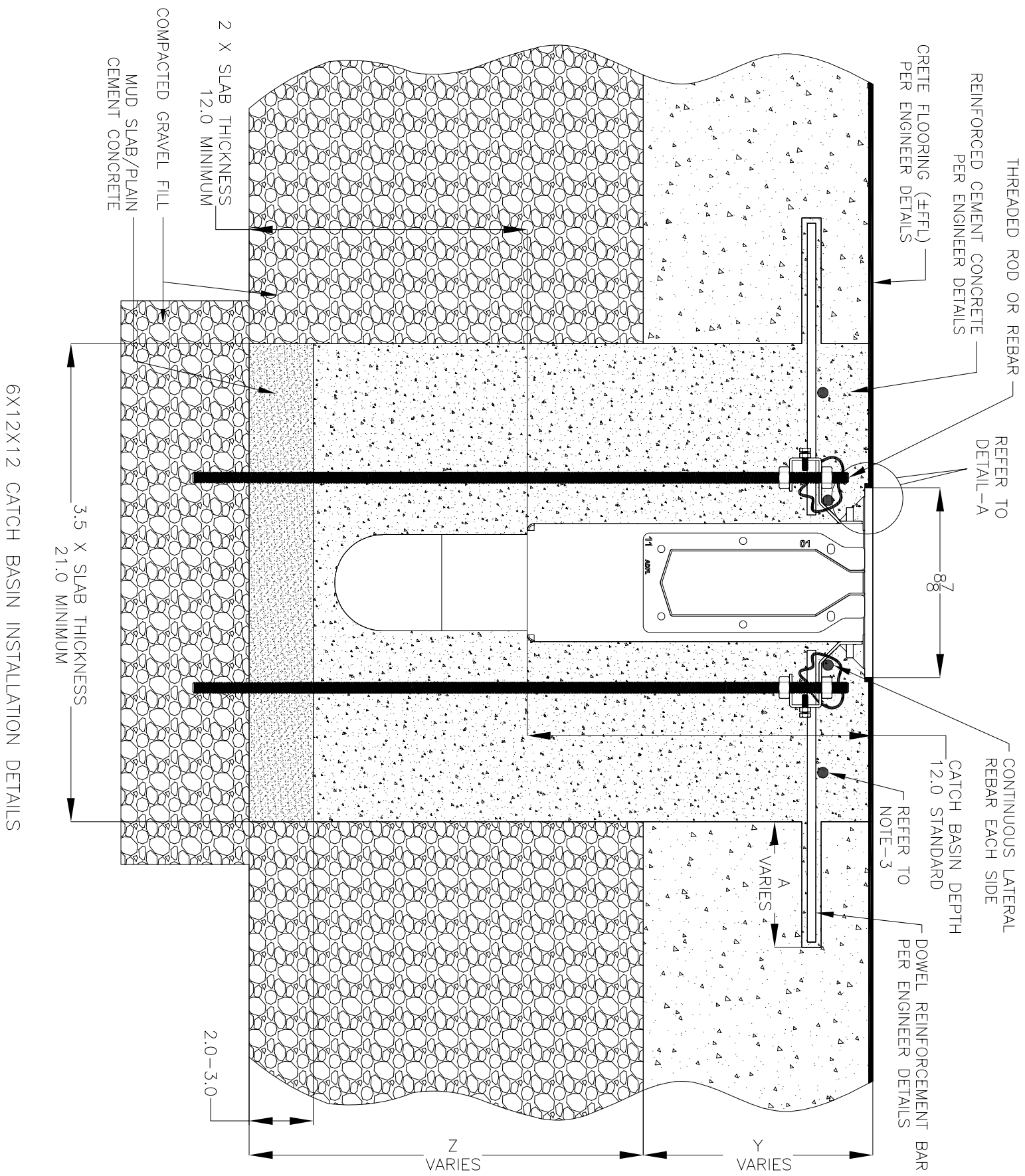
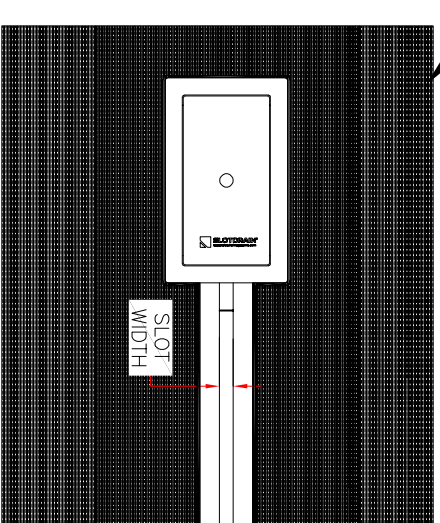


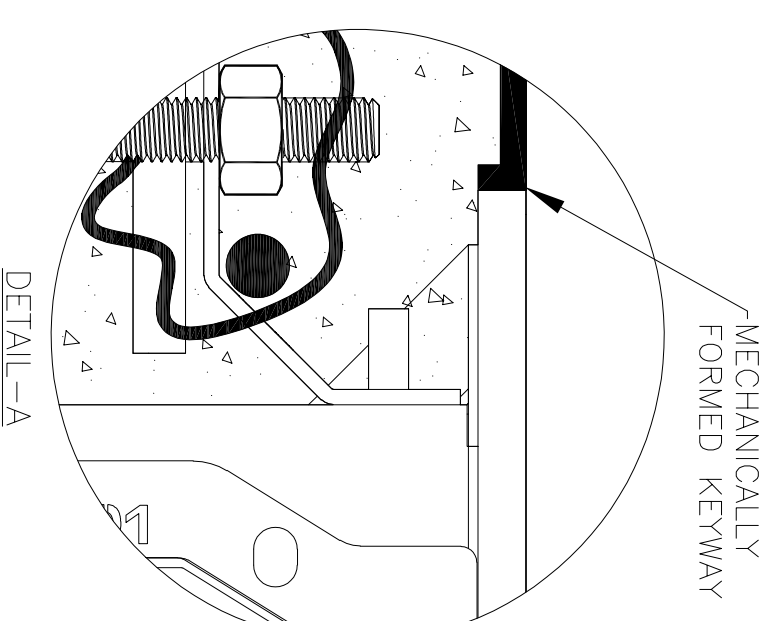
- NOTES: UNLESS OTHERWISE SPECIFIED
1. ALL DIMENSIONS ARE IN INCHES.
 2. DRAIN BODY MATERIAL: 14GA STAINLESS STEEL T304/T316
 3. SPECIFYING ENGINEER IS RESPONSIBLE FOR CONCRETE ENCASUREMENT AND REINFORCING BASED UPON APPLICATION AND LOCAL CODES.
 4. REFER TO <https://info.slotdrainsystems.com/installresources> FOR INSTALLATION INSTRUCTIONS.



6X12X12 CATCH BASIN INSTALLATION DETAILS



CRETE FLOOR (FFFL) PER ENGINEER DETAILS



DETAIL-A

REVISIONS		DATE	BY
0	INITIAL RELEASE - R0	11/20/2019	DK
1	UPDATED DRAWING LAYOUT & REBAR DETAILS	7/14/2021	DK

SLOT DRAIN SYSTEMS
 855.497.7508
 info@slotdrainsystems.com
 www.slotdrainsystems.com

DRAWING TITLE			
CRETE FLOOR—RETROFIT INSTALLATION			
DRAIN SERIES			
6X12X12 CATCH BASIN			
DWG NO.	SIZE	SCALE	SHEET
IN-6X12X12FGPIT-101-R1	B	NTS	1 OF 1
ALL DRAWINGS ARE THE EXCLUSIVE PROPERTY OF SLOT DRAIN SYSTEMS. ANY REPRODUCTION IN PART OR IN WHOLE IS PROHIBITED WITHOUT PROPER CONSENT.			REV.
			1