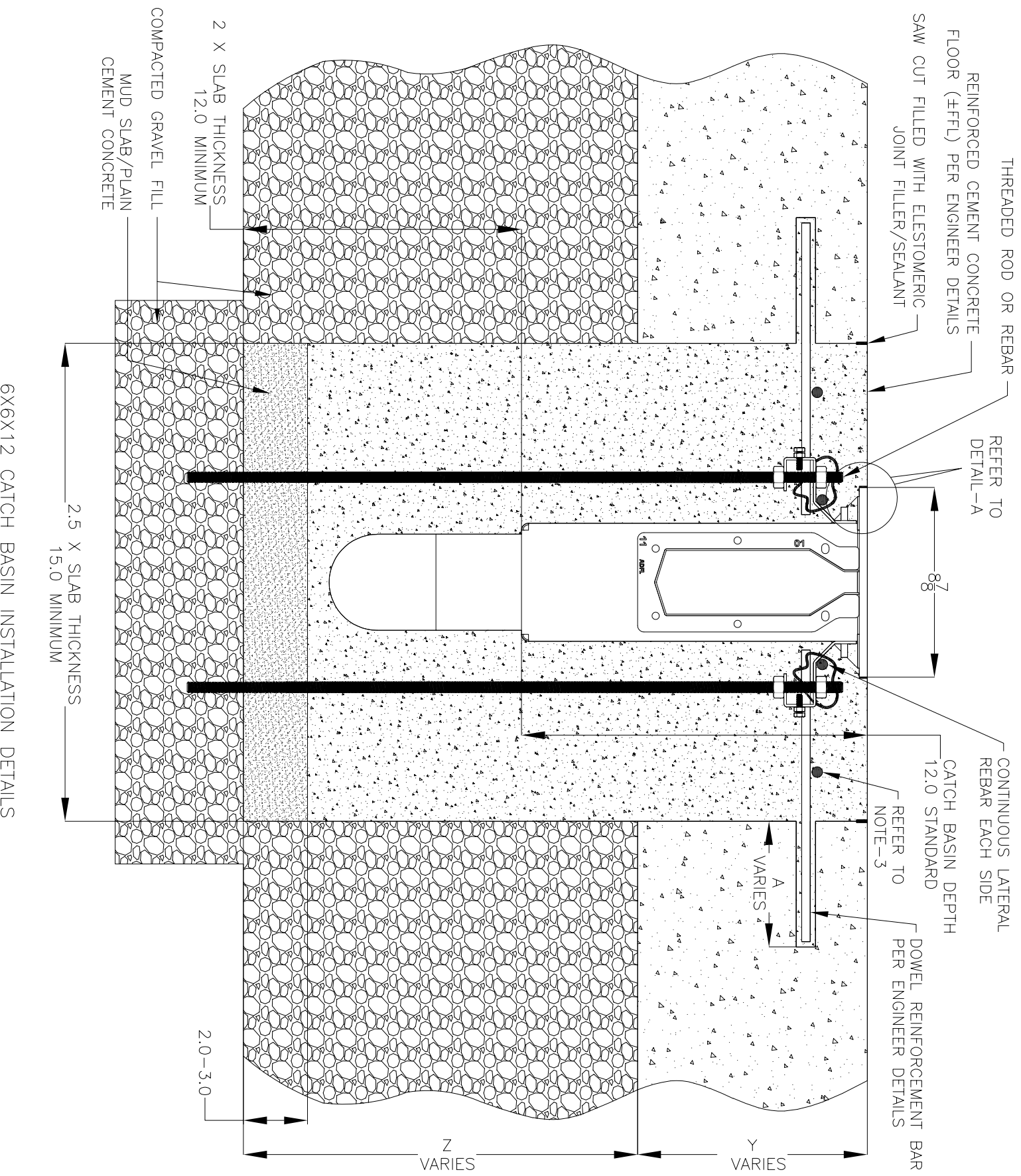


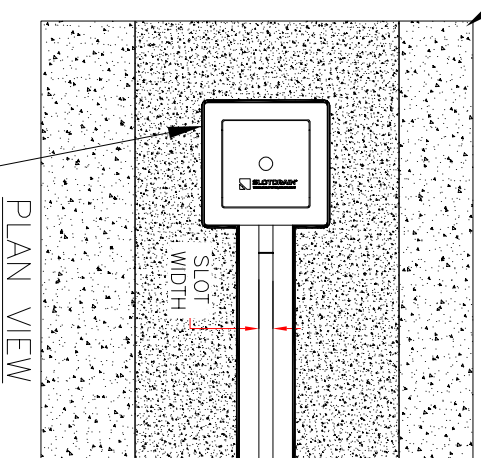
NOTES: UNLESS OTHERWISE SPECIFIED

1. ALL DIMENSIONS ARE IN INCHES.
2. DRAIN BODY MATERIAL: 14GA STAINLESS STEEL T304/T316
3. SPECIFYING ENGINEER IS RESPONSIBLE FOR CONCRETE ENCASUREMENT AND REINFORCING BASED UPON APPLICATION AND LOCAL CODES.
4. REFER TO <https://info.slotdrainsystems.com/installresources> FOR INSTALLATION INSTRUCTIONS.

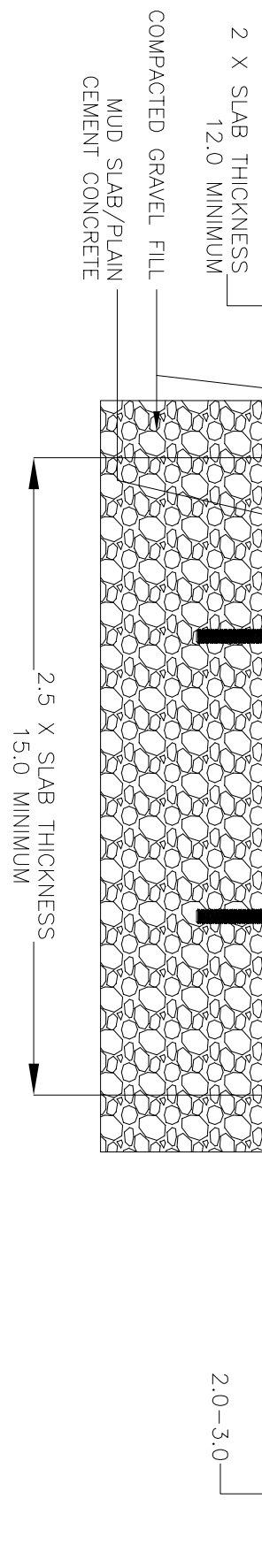
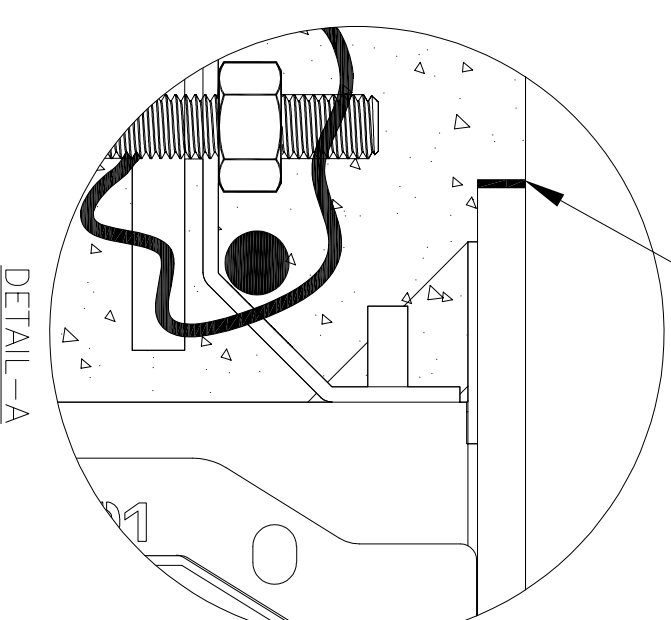


REINFORCED CEMENT CONCRETE FLOOR  
(±FFL) PER ENGINEER DETAILS

REVISIONS		DATE	BY
REV	DESCRIPTION		
0	INITIAL RELEASE - R0	11/20/2019	DK
1	UPDATED DRAWING LAYOUT & REBAR DETAILS	7/14/2021	DK



SEALANT BETWEEN  
±FFL AND DRAIN TOP



6X6X12 CATCH BASIN INSTALLATION DETAILS



DRAWING TITLE  
CONCRETE FLOOR-RETROFIT INSTALLATION

DRAIN SERIES  
6X6X12 CATCH BASIN

DWG NO.  
IN-6X6X12FGPIT-100-R1

SIZE  
B

SCALE  
NTS

SHEET  
1 OF 1

ALL DRAWINGS ARE THE EXCLUSIVE  
PROPERTY OF SLOT DRAIN SYSTEMS.  
ANY REPRODUCTION IN PART OR IN  
WHOLE IS PROHIBITED WITHOUT  
PROPER CONSENT.