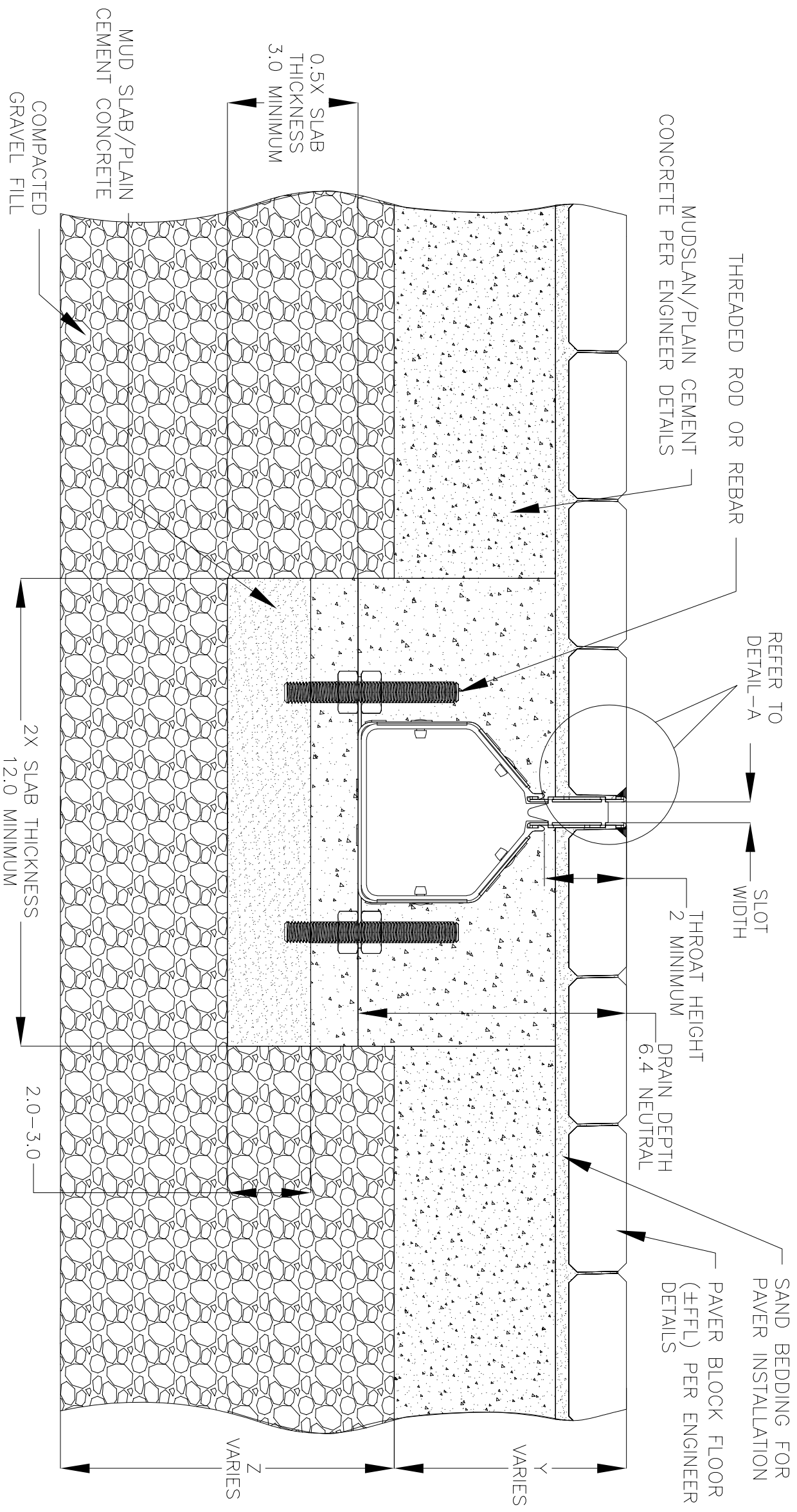


NOTES: UNLESS OTHERWISE SPECIFIED

1. ALL DIMENSIONS ARE IN INCHES.
2. DRAIN THROAT MATERIAL: STAINLESS STEEL T304/T316
3. DRAIN BODY MATERIAL: HIGH END PLASTIC
4. SPECIFYING ENGINEER IS RESPONSIBLE FOR CONCRETE ENCASUREMENT AND REINFORCING BASED UPON APPLICATION AND LOCAL CODES.
5. REFER TO <https://info.slottedrainsystems.com/installresources> FOR INSTALLATION INSTRUCTIONS.

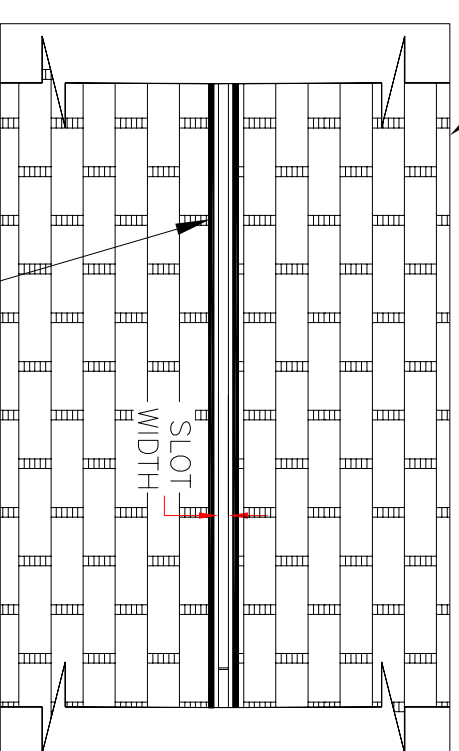


3000 SERIES SLOT DRAIN INSTALLATION DETAILS

PAVER BLOCK FLOORING (±FFL)
PER ENGINEER DETAILS

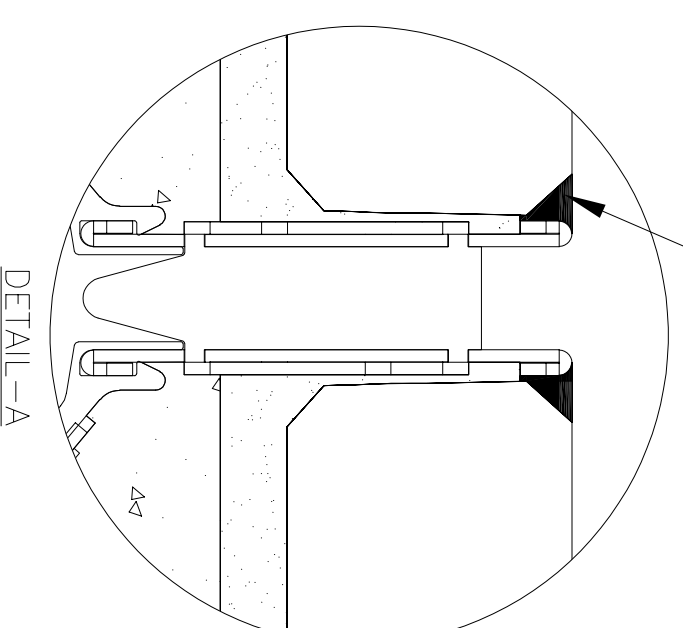
REVISIONS

REV	DESCRIPTION	DATE	BY
0	INITIAL RELEASE - RO	12/8/2019	DK
1	UPDATED THE DRAIN LAYOUT	7/14/2021	DK
2	UPDATED WITH GLOBAL DRAIN TEMPLATE	2/14/2024	DK



PLAN VIEW

SEALANT BETWEEN
±FFL AND DRAIN TOP



DETAIL-A



DRAWING TITLE
PAVER BLOCK FLOOR-RETROFIT INSTALLATION

DRAIN SERIES
3000 SERIES SLOT DRAIN

DWG NO. IN-SD3000-100-R2
SIZE B
SCALE NTS
SHEET 1 OF 1

ALL DRAWINGS ARE THE EXCLUSIVE
PROPERTY OF SLOT DRAIN SYSTEMS.
ANY REPRODUCTION IN PART OR IN
WHOLE IS PROHIBITED WITHOUT
PROPER CONSENT.