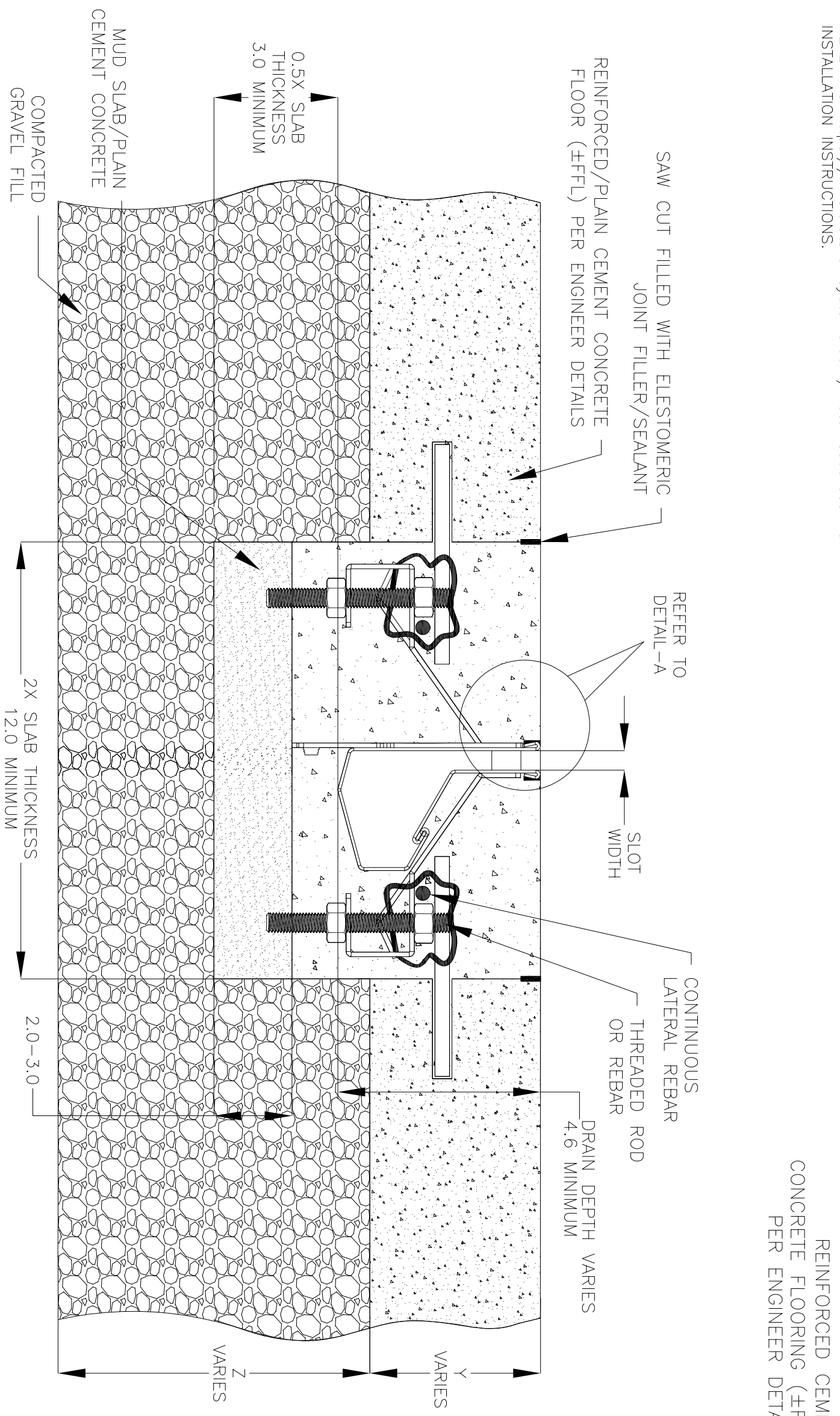
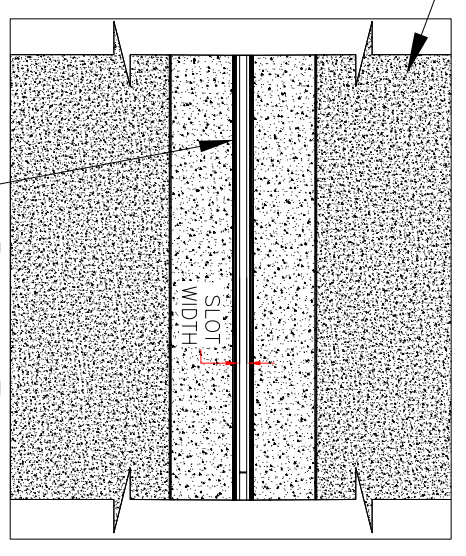


NOTES: UNLESS OTHERWISE SPECIFIED

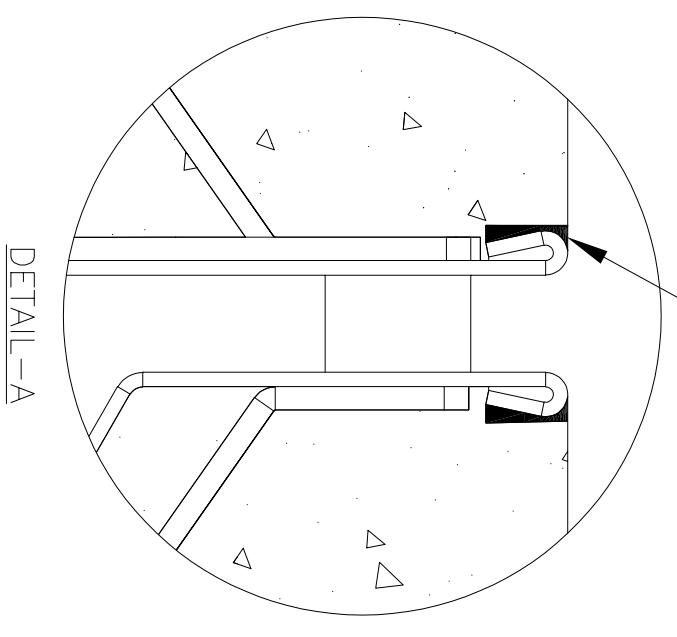
1. ALL DIMENSIONS ARE IN INCHES.
2. DRAIN BODY MATERIAL: 16GA STAINLESS STEEL T304/T316
3. SPECIFYING ENGINEER IS RESPONSIBLE FOR CONCRETE ENCASUREMENT AND REINFORCING BASED UPON APPLICATION AND LOCAL CODES.
4. REFER TO <https://info.slotdrainsystems.com/installresources> FOR INSTALLATION INSTRUCTIONS.



REINFORCED CEMENT CONCRETE FLOORING (±FFL) PER ENGINEER DETAILS



PLAN VIEW



DETAIL-A

4000 SERIES SLOT DRAIN FLOOR INSTALLATION DETAILS

REVISIONS		DATE	BY
REV	DESCRIPTION	4/26/2019	DK
0	INITIAL RELEASE - R0	3/19/2020	DK
1	UPDATED THE LEVELER & WALL CONNECTION	7/14/2021	DK
2	UPDATED THE DRAIN LAYOUT	3/7/2024	DK
3	UPDATED WITH GLOBAL DRAIN TEMPLATE		



DRAWING TITLE
CONCRETE FLOOR-RETROFIT FLOOR INSTALLATION

DRAIN SERIES
4000 SERIES SLOT DRAIN

DWG NO.
IN-SD4000-111-R3

ALL DRAWINGS ARE THE EXCLUSIVE PROPERTY OF SLOT DRAIN SYSTEMS. ANY REPRODUCTION IN PART OR IN WHOLE IS PROHIBITED WITHOUT PROPER CONSENT.

SIZE
B

SCALE
NTS

SHEET
1 OF 1

REV.
3