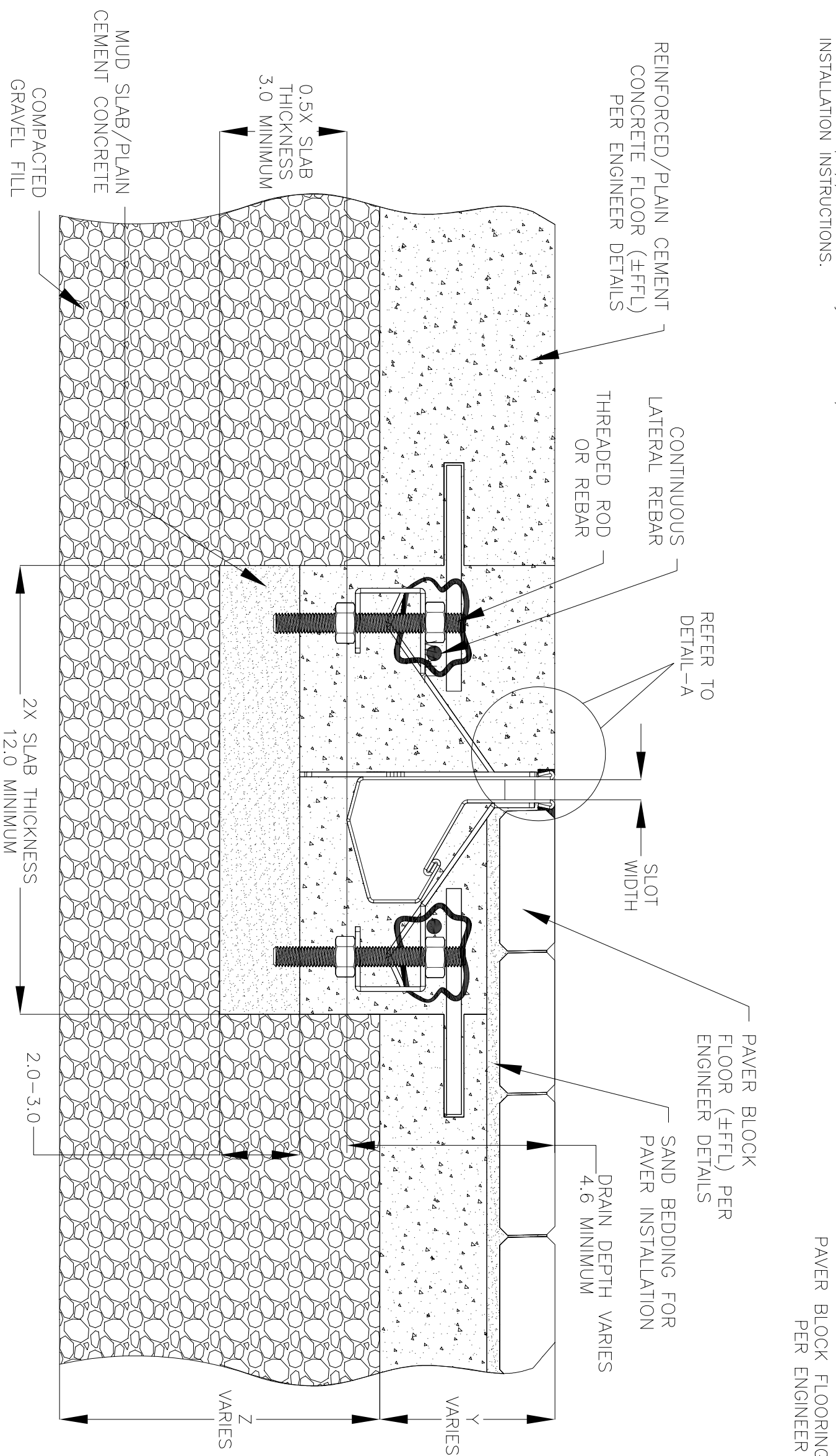


NOTES: UNLESS OTHERWISE SPECIFIED

1. ALL DIMENSIONS ARE IN INCHES.
2. DRAIN BODY MATERIAL: 16GA STAINLESS STEEL T304/T316
3. SPECIFYING ENGINEER IS RESPONSIBLE FOR CONCRETE ENCASUREMENT AND REINFORCING BASED UPON APPLICATION AND LOCAL CODES.
4. REFER TO <https://info.slotdrainsystems.com/installresources> FOR INSTALLATION INSTRUCTIONS.



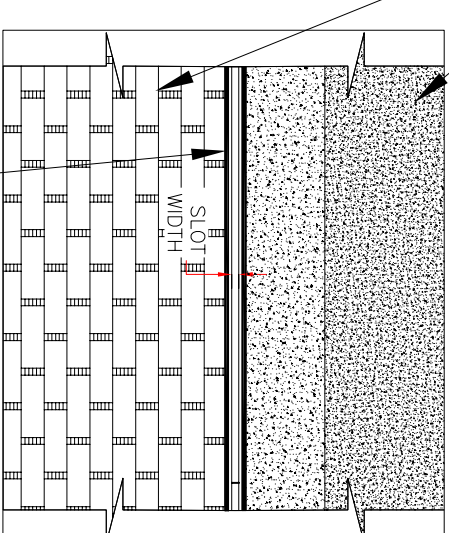
4000 SERIES SLOT DRAIN FLOOR INSTALLATION DETAILS

REVISIONS

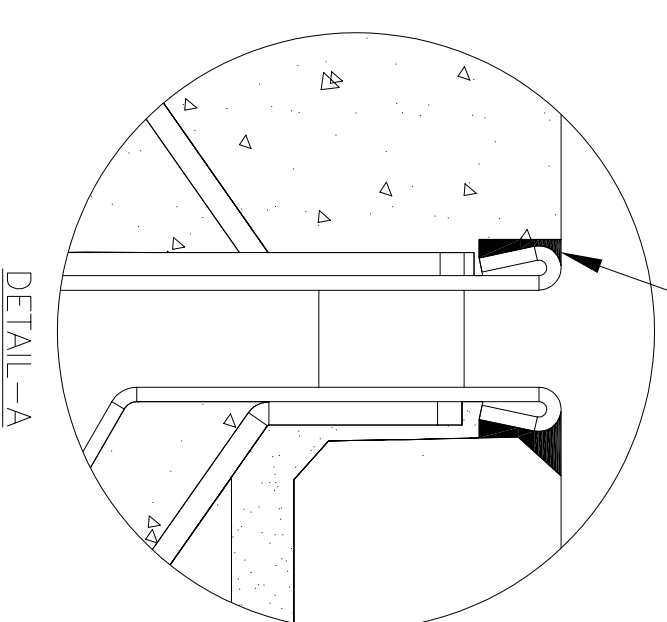
REV	DESCRIPTION	DATE	BY
0	INITIAL RELEASE - R0	4/26/2019	DK
1	UPDATED THE LEVELER & WALL CONNECTION	3/19/2020	DK
2	UPDATED THE DRAIN LAYOUT	7/14/2021	DK
3	UPDATED WITH GLOBAL DRAIN TEMPLATE	3/7/2024	DK

CONCRETE FLOORING (±FFL)  
PER ENGINEER DETAILS

PAVER BLOCK FLOORING (±FFL)  
PER ENGINEER DETAILS



PLAN VIEW



DETAIL-A

**GLOBAL DRAIN**  
TECHNOLOGIES

DRAWING TITLE

PAVER BLOCK+CONCRETE-RETROFIT FLOOR INSTALLATION

DRAIN SERIES

4000 SERIES SLOT DRAIN

REV. 3

DWG NO.

IN-SD4000-112-R3

SIZE B

SCALE NTS

SHEET 1 OF 1

ALL DRAWINGS ARE THE EXCLUSIVE PROPERTY OF SLOT DRAIN SYSTEMS. ANY REPRODUCTION IN PART OR IN WHOLE IS PROHIBITED WITHOUT PROPER CONSENT.