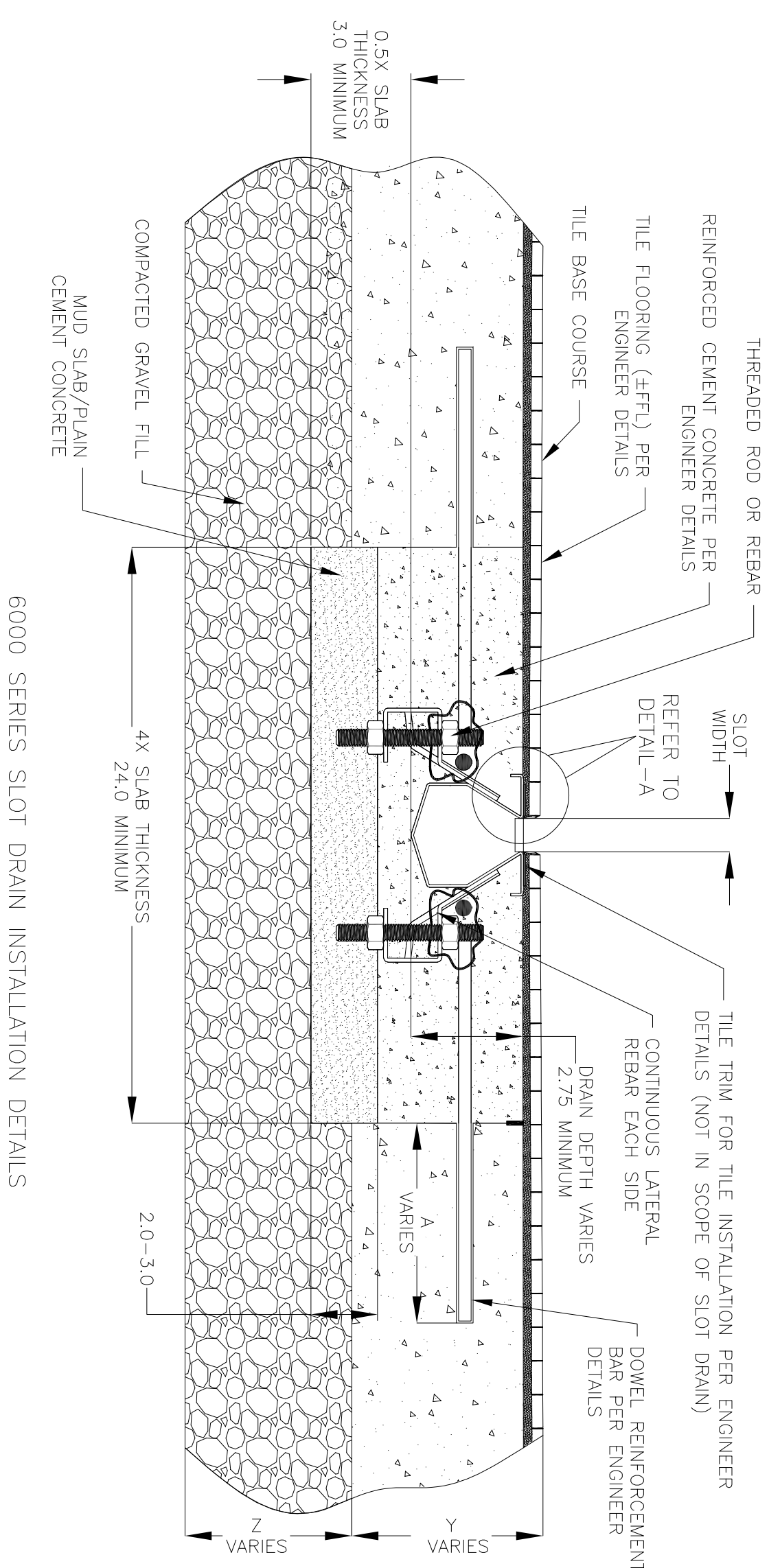


NOTES: UNLESS OTHERWISE SPECIFIED

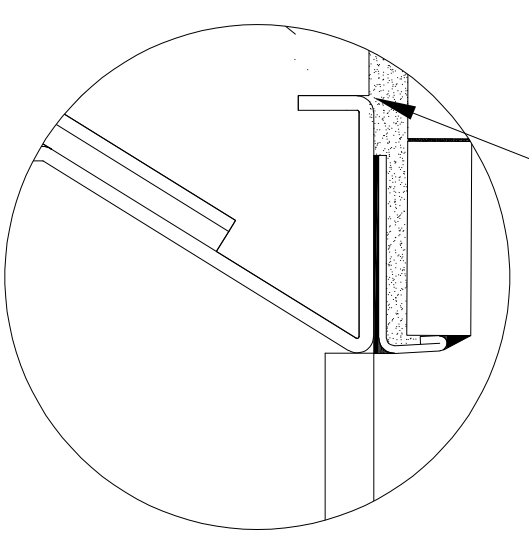
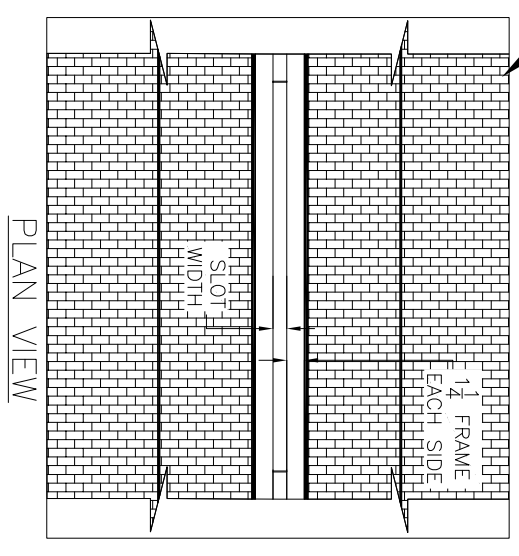
1. ALL DIMENSIONS ARE IN INCHES.
2. DRAIN BODY MATERIAL: 16GA STAINLESS STEEL T304/T316
3. SPECIFYING ENGINEER IS RESPONSIBLE FOR CONCRETE ENCASEMENT AND REINFORCING BASED UPON APPLICATION AND LOCAL CODES.
4. REFER TO <https://info.slotdrainsystems.com/installresources> FOR INSTALLATION INSTRUCTIONS.



6000 SERIES SLOT DRAIN INSTALLATION DETAILS

TILE FLOORING (±FFL) PER ENGINEER DETAILS

REVISIONS		DATE	BY
REV	DESCRIPTION		
0	INITIAL RELEASE - R0	11/15/2019	DK
1	UPDATED THE DRAIN LAYOUT	12/2/2020	DK
2	UPDATED THE REBAR DETAILS	7/14/2021	DK
3	UPDATED WITH GLOBAL DRAIN TEMPLATE	3/19/2024	DK



DRAWING TITLE		TILE FLOOR-RETROFIT INSTALLATION	
DRAIN SERIES		6000 SERIES SLOT DRAIN	
DWG NO.	IN-SD6000-101-R3	SIZE	B
		SCALE	NTS
		SHEET	1 OF 1
REV.			3

ALL DRAWINGS ARE THE EXCLUSIVE PROPERTY OF SLOT DRAIN SYSTEMS. ANY REPRODUCTION IN PART OR IN WHOLE IS PROHIBITED WITHOUT PROPER CONSENT.