

SPECIFICATIONS

GENERAL:

The surface drainage system shall be 6000 PLUS-R Series Slot Drain complete with slotted linear trench opening as manufactured by Slot Drain® Systems.

MATERIALS:

T304 Stainless Steel, T316 Stainless Steel,

SLOPE:

0.5% Standard

DESIGN OPTIONS:

Material (\$): SS304(5), SS316(6)
Slot Opening (#): ½" (0), 1" (1), 1 ¼" (5)
End (*): Open (0), End Cap (1), Flush Nipple (5)
Section Lengths: Full 9'8", Half 4'10"
Custom Lengths available

FLOW RATE:

½" 11 gpm (per foot of drain)
1 18 gpm (per foot of drain)
1 ¼" 27 gpm (per foot of drain)

LOAD CLASS:

Load Class E

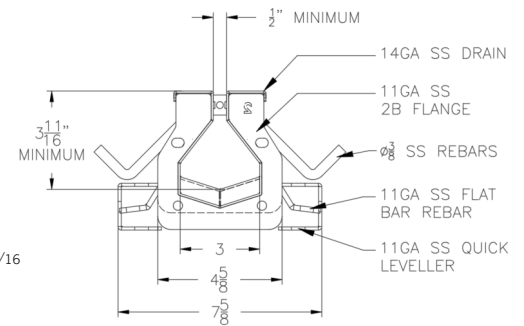
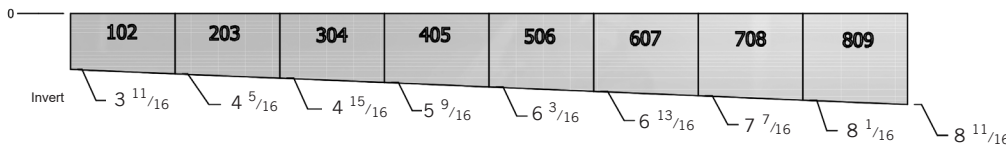
ACCESSORIES:

Cleaning paddle, Cleaning Brush, Flush Flo, CIP, Slot Hog, Tri-Clamp

INSTALLATION:

The 6000 PLUS-R Series Slot Drain System shall be installed in accordance with the manufacturer's installation instructions and recommendations.

TYPICAL MODULAR LAYOUT OF A 6000 PLUS-R SERIES SLOT DRAIN® SYSTEM
(Sections fit together as illustrated below)



DRAIN CHANNELS

DESCRIPTION	PART NO.	INVERT SHALLOW INCHES	INVERT DEEP INCHES
6000 PLUS-R SERIES SS SLOT 102 HALF	SD6\$*#PR-102B	4	4 5/16
6000 PLUS-R SERIES SS SLOT 102	SD6\$*#PR-102	3 11/16	4 5/16
6000 PLUS-R SERIES SS SLOT 203	SD6\$*#PR-203	4 5/16	4 15/16
6000 PLUS-R SERIES SS SLOT 304	SD6\$*#PR-304	4 15/16	5 9/16
6000 PLUS-R SERIES SS SLOT 405	SD6\$*#PR-405	5 9/16	6 3/16
6000 PLUS-R SERIES SS SLOT 506	SD6\$*#PR-506	6 3/16	6 13/16
6000 PLUS-R SERIES SS SLOT 607	SD6\$*#PR-607	6 13/16	7 7/16
6000 PLUS-R SERIES SS SLOT 708	SD6\$*#PR-708	7 7/16	8 1/16
6000 PLUS-R SERIES SS SLOT 809	SD6\$*#PR-809	8 1/16	8 11/16
6000 PLUS-R SERIES SS SLOT 9010	SD6\$*#PR-9010	8 11/16	9 5/16
6000 PLUS-R SERIES SS SLOT 10011	SD6\$*#PR-10011	9 5/16	9 15/16

NOTE:

Also available with 90° sections, 'T' sections, and Transition Pits for all of the depths specified above.

CATCH BASIN LID: STANDARD, TRI-CLAMP OPTIONS ARE AVAILABLE AND STRAINER IS PART OF THE CATCH BASIN

DESCRIPTION	TOP WIDTH INCHES	TOP LENGTH INCHES	BOTTOM WIDTH INCHES	BOTTOM LENGTH INCHES	HEIGHT INCHES	OUTLET SIZE INCHES
6000P SS CB SMALL	6	6	6	6	12	4 or 6
6000P SS CB MEDIUM	6	12	6	12	12	4 or 6
6000P SS CB LARGE	12	12	12	12	12 or 20	4 or 6

SPECIFYING ENGINEER IS RESPONSIBLE FOR CONCRETE ENCASEMENT AND REINFORCING BASED UPON APPLICATION AND LOCAL CODES. SLOT DRAIN SYSTEMS RESERVES THE RIGHT TO CHANGE THE PRODUCT AND SPECIFICATIONS WITHOUT NOTICE