

**SPECIFICATIONS**
**GENERAL:**

The surface drainage system shall be 10,000S Series Slot Drain Systems complete with slotted linear trench opening as manufactured by Slot Drain Systems.

**MATERIALS:**

T304 Stainless Steel, T316 Stainless Steel

**SLOPE:**

0.5% Standard

**DESIGN OPTIONS:**

Material (\$): SS304(5), SS316(6)  
 Slot Opening (#): ½" (0), 1" (1), 1 ¼" (5)  
 End (\*): Open (0), End Cap (1), Flush Nipple (5)  
 Section Lengths: Full 9'8", Half 4'10"  
 Custom Lengths available

**FLOW RATE:**

½" 11 gpm (per foot of drain)  
 1 18 gpm (per foot of drain)  
 1 ¼" 27 gpm (per foot of drain)

**LOAD CLASS:**

DIN EN 1433 - Load Class E  
 ASME 112.6.3 - Extra Heavy Duty

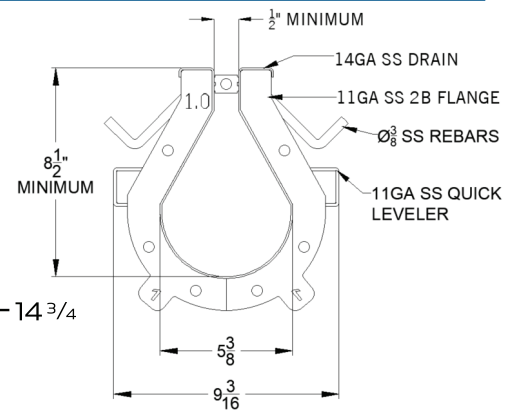
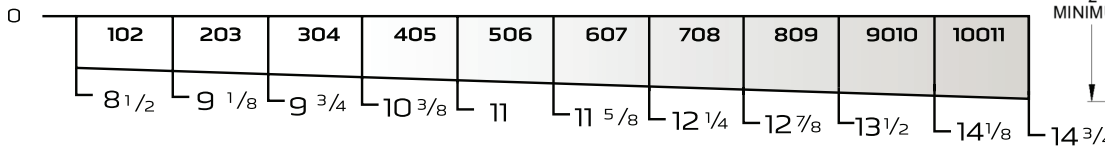
**ACCESSORIES:**

Cleaning paddle, Cleaning Brush, Flush Flo, CIP, Slot Hog, Tri-Clamp

**INSTALLATION:**

The 10,000S Series Slot Drain Systems shall be installed in accordance with the manufacturer's installation instructions and recommendations.

TYPICAL MODULAR LAYOUT OF A 10,000S SERIES SLOT DRAIN<sup>®</sup> SYSTEMS  
 (Sections fit together as illustrated below)


**DRAIN CHANNELS**

DESCRIPTION	PART NO.	INVERT SHALLOW INCHES	INVERT DEEP INCHES
10000S SERIES SS SLOT 102 HALF	SD10\$*#S-102B	8 <sup>13</sup> / <sub>16</sub>	9 <sup>1</sup> / <sub>8</sub>
10000S SERIES SS SLOT 102	SD10\$*#S-102	8 <sup>1</sup> / <sub>2</sub>	9 <sup>1</sup> / <sub>8</sub>
10000S SERIES SS SLOT 203	SD10\$*#S-203	9 <sup>1</sup> / <sub>8</sub>	9 <sup>3</sup> / <sub>4</sub>
10000S SERIES SS SLOT 304	SD10\$*#S-304	9 <sup>3</sup> / <sub>4</sub>	10 <sup>3</sup> / <sub>8</sub>
10000S SERIES SS SLOT 405	SD10\$*#S-405	10 <sup>3</sup> / <sub>8</sub>	11
10000S SERIES SS SLOT 506	SD10\$*#S-506	11	11 <sup>5</sup> / <sub>8</sub>
10000S SERIES SS SLOT 607	SD10\$*#S-607	11 <sup>5</sup> / <sub>8</sub>	12 <sup>1</sup> / <sub>4</sub>
10000S SERIES SS SLOT 708	SD10\$*#S-708	12 <sup>1</sup> / <sub>4</sub>	12 <sup>7</sup> / <sub>8</sub>
10000S SERIES SS SLOT 809	SD10\$*#S-809	12 <sup>7</sup> / <sub>8</sub>	13 <sup>1</sup> / <sub>2</sub>
10000S SERIES SS SLOT 9010	SD10\$*#S-9010	13 <sup>1</sup> / <sub>2</sub>	14 <sup>1</sup> / <sub>8</sub>
10000S SERIES SS SLOT 10011	SD10\$*#S-10011	14 <sup>1</sup> / <sub>8</sub>	14 <sup>3</sup> / <sub>4</sub>

**NOTE:**

Also available with 90° sections, 'T' sections, and Transition Pits for all of the depths specified above.

**CATCH BASIN**

LID: STANDARD, TRI-CLAMP OPTIONS ARE AVAILABLE AND STRAINER IS PART OF THE CATCH BASIN

DESCRIPTION	TOP WIDTH INCHES	TOP LENGTH INCHES	BOTTOM WIDTH INCHES	BOTTOM LENGTH INCHES	HEIGHT INCHES	OUTLET SIZE INCHES
10000 SS SMALL	12 <sup>3</sup> / <sub>8</sub>	12 <sup>3</sup> / <sub>8</sub>	12 <sup>3</sup> / <sub>8</sub>	12 <sup>3</sup> / <sub>8</sub>	17 <sup>1</sup> / <sub>8</sub>	4 or 6
10000 SS LARGE	12 <sup>3</sup> / <sub>8</sub>	12 <sup>3</sup> / <sub>8</sub>	12 <sup>3</sup> / <sub>8</sub>	12 <sup>3</sup> / <sub>8</sub>	20 <sup>7</sup> / <sub>8</sub>	4 or 6

SPECIFYING ENGINEER IS RESPONSIBLE FOR CONCRETE ENCASEMENT AND REINFORCING BASED UPON APPLICATION AND LOCAL CODES. FOODSAFE DRAINS SYSTEMS RESERVES THE RIGHT TO CHANGE THE PRODUCT AND SPECIFICATIONS WITHOUT NOTICE