

**SPECIFICATIONS**
**GENERAL:**

The surface drainage system shall be 8000 Series Slot Drain complete with slotted linear trench opening as manufactured by Slot Drain Systems.

**MATERIALS:**

T304 Stainless Steel, T316 Stainless Steel, Galvanized Steel

**SLOPE:**

0.5% Standard

**DESIGN OPTIONS:**

Material (\$): SS304(5), SS316(6), GS(0)  
 Slot Opening (#): ½" (0), 1" (1), 1 ¼" (5)  
 End (\*): Open (0), End Cap (1), Flush Nipple (5)  
 Section Lengths: Full 9'8", Half 4'10"  
 Typical runs start with 405  
 (Custom Lengths available).

**FLOW RATE:**

½" 11 gpm (per foot of drain)  
 1 18 gpm (per foot of drain)  
 1 ¼" 27 gpm (per foot of drain)

**LOAD CLASS:**

DIN EN 1433 - Load Class E  
 ASME 112.6.3 - Special Duty

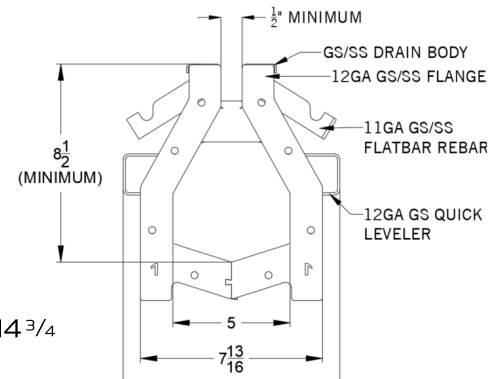
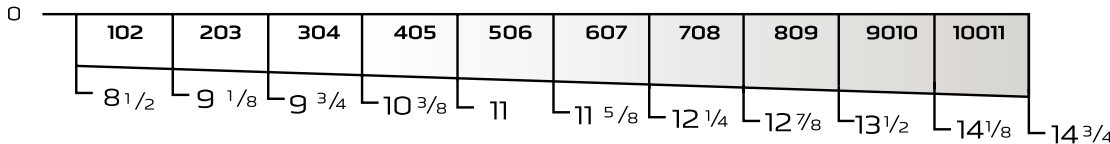
**ACCESSORIES:**

Cleaning paddle, Cleaning Brush, Flush Flo, CIP, Slot Hog, Tri-Clamp

**INSTALLATION:**

The drains and catch basins are installed with the gaskets supplied by Global Drain Technology. The 8000 Series Slot Drain System shall be installed in accordance with the manufacturer's installation instructions and recommendations.

TYPICAL MODULAR LAYOUT OF A 8000 SERIES SLOT DRAIN® SYSTEM  
 (Sections fit together as illustrated below)


**DRAIN CHANNELS**

DESCRIPTION	PART NO.	INVERT SHALLOW INCHES	INVERT DEEP INCHES
8000 SERIES SS SLOT 102 HALF	SD8\$*-102B	8 <sup>13</sup> / <sub>16</sub>	9 <sup>1</sup> / <sub>8</sub>
8000 SERIES SS SLOT 102	SD8\$*-102	8 <sup>1</sup> / <sub>2</sub>	9 <sup>1</sup> / <sub>8</sub>
8000 SERIES SS SLOT 203	SD8\$*-203	9 <sup>1</sup> / <sub>8</sub>	9 <sup>3</sup> / <sub>4</sub>
8000 SERIES SS SLOT 304	SD8\$*-304	9 <sup>3</sup> / <sub>4</sub>	10 <sup>3</sup> / <sub>8</sub>
8000 SERIES SS SLOT 405	SD8\$*-405	10 <sup>3</sup> / <sub>8</sub>	11
8000 SERIES SS SLOT 506	SD8\$*-506	11	11 <sup>5</sup> / <sub>8</sub>
8000 SERIES SS SLOT 607	SD8\$*-607	11 <sup>5</sup> / <sub>8</sub>	12 <sup>1</sup> / <sub>4</sub>
8000 SERIES SS SLOT 708	SD8\$*-708	12 <sup>1</sup> / <sub>4</sub>	12 <sup>7</sup> / <sub>8</sub>
8000 SERIES SS SLOT 809	SD9\$*-809	12 <sup>7</sup> / <sub>8</sub>	13 <sup>1</sup> / <sub>2</sub>
8000 SERIES SS SLOT 9010	SD9\$*-9010	13 <sup>1</sup> / <sub>2</sub>	14 <sup>1</sup> / <sub>8</sub>
8000 SERIES SS SLOT 10011	SD9\$*-10011	14 <sup>1</sup> / <sub>8</sub>	14 <sup>3</sup> / <sub>4</sub>

**NOTE:**

Also available with 90° sections, 'T' sections, and Transition Pits for all of the depths specified above.

**CATCH BASIN**

LID: STANDARD, TRI-CLAMP OPTIONS ARE AVAILABLE AND STRAINER IS PART OF THE CATCH BASIN

DESCRIPTION	TOP WIDTH INCHES	TOP LENGTH INCHES	BOTTOM WIDTH INCHES	BOTTOM LENGTH INCHES	HEIGHT INCHES	OUTLET SIZE INCHES
8000 SS SMALL	12 <sup>3</sup> / <sub>8</sub>	12 <sup>3</sup> / <sub>8</sub>	12 <sup>3</sup> / <sub>8</sub>	12 <sup>3</sup> / <sub>8</sub>	17 <sup>1</sup> / <sub>8</sub>	4
8000 SS LARGE	12 <sup>3</sup> / <sub>8</sub>	12 <sup>3</sup> / <sub>8</sub>	12 <sup>3</sup> / <sub>8</sub>	12 <sup>3</sup> / <sub>8</sub>	20 <sup>7</sup> / <sub>8</sub>	4

SPECIFYING ENGINEER IS RESPONSIBLE FOR CONCRETE ENCASUREMENT AND REINFORCING BASED UPON APPLICATION AND LOCAL CODES.  
 SLOT DRAIN SYSTEMS RESERVES THE RIGHT TO CHANGE THE PRODUCT AND SPECIFICATIONS WITHOUT NOTICE