

SPECIFICATIONS

GENERAL:

The surface drainage system shall FoodSafe Trench Drain - Round, to be used with trench grates as manufactured by FoodSafe Drains.

MATERIALS:

14 ga. T304 Stainless Steel, T316 Stainless Steel

SLOPE:

0.5% Standard

GRATES:

Bargrate with Optional Serration/Antislip Design

DESIGN OPTIONS:

Material (\$): SS 304(5), SS 316(6)
End (*): Open (0), End Cap (1), Flash Nipple (5)
Trench Grate Height (^): 6mm w Spacer to 51mm
Trench Grate Width (#): 152mm, 203mm, 254mm, 305mm, 356mm, 406mm
Outlet Diameter: 76mm, 102mm, 152mm
Standard Lengths: 2.268m or 1.524m
(Custom Lengths Available)

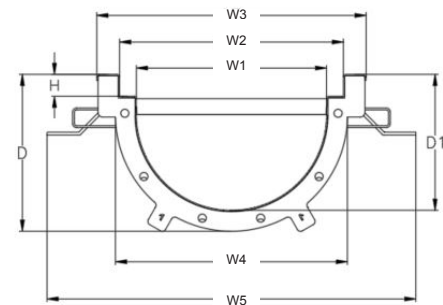
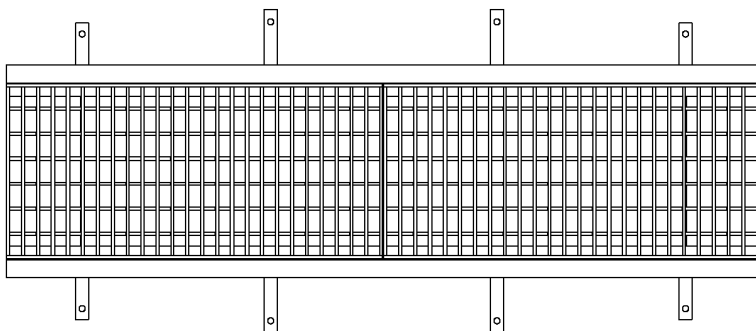
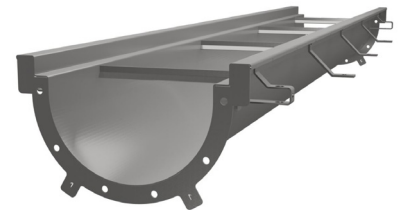
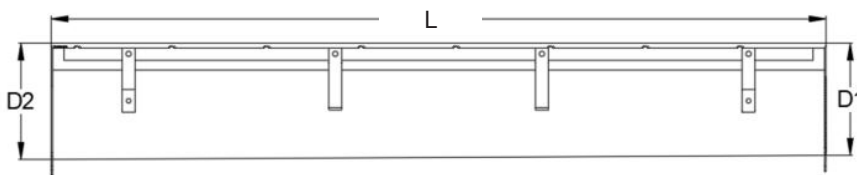
LOAD CLASS:

A15 to E600 Available.

INSTALLATION:

The FoodSafe Trench Drain - Round Bottom shall be installed in accordance with the manufacturer's installation instructions and recommendations. Trench sections are manufactured with leveling bars and flanges to secure the drain within the concrete slab.

TYPICAL MODULAR LAYOUT OF A FOODSAFE TRENCH DRAIN - ROUND BOTTOM SYSTEM



DRAIN CHANNELS NOTE: Also available with 90° sections, 'T' sections, for all of the depths specified below.

| DESCRIPTION | PART NO. | INVERT SHALLOW (MM) | INVERT DEEP (MM) |
|-------------------------|---------------|---------------------|------------------|
| FSD TRENCH - ROUND 102 | FTR\$*^#-102 | 217 | 229 |
| FSD TRENCH - ROUND 203 | FTR\$*^#-203 | 229 | 240 |
| FSD TRENCH - ROUND 304 | FTR\$*^#-304 | 240 | 252 |
| FSD TRENCH - ROUND 405 | FTR\$*^#-405 | 252 | 264 |
| FSD TRENCH - ROUND 506 | FTR\$*^#-506 | 264 | 275 |
| FSD TRENCH - ROUND 607 | FTR\$*^#-607 | 275 | 286 |
| FSD TRENCH - ROUND 708 | FTR\$*^#-708 | 286 | 297 |
| FSD TRENCH - ROUND 809 | FTR\$*^#-809 | 297 | 310 |
| FSD TRENCH - ROUND 9010 | FTR\$*^#-9010 | 310 | 321 |

FTR CATCH BASINS ARE AVAILABLE IN ANY CUSTOM DIMENSIONS

SPECIFYING ENGINEER IS RESPONSIBLE FOR CONCRETE ENCASEMENT AND REINFORCING BASED UPON APPLICATION AND LOCAL CODES.
FOOD SAFE DRAINS RESERVES THE RIGHT TO CHANGE THE PRODUCT AND SPECIFICATIONS WITHOUT NOTICE.